

Operating instructions

DISHWASHER

EN

English, 1

ES

Español, 15

TR

Türkçe, 29

RU

Русский, 43

KZ

Қазақша, 59

DFG 26B10

Contents

Product Fiche, 2

Precautions and advice, 3

General safety
Disposal
Saving energy and respecting the environment

Installation and Assistance, 4-5

Positioning and levelling
Connecting the water and electricity supplies
Advice regarding the first wash cycle
Technical data
Assistance

Description of the appliance, 6

Overall view
Control panel

Loading the racks, 7-8

Lower rack
Cutlery basket
Upper rack
Adjusting the upper rack

Start-up and use, 9

Starting the dishwasher
Measuring out the detergent

Wash cycles, 10

Table of wash cycles

Special wash cycles and Options, 11

Rinse aid and refined salt, 12

Measuring out the rinse aid
Measuring out the refined salt

Care and maintenance, 13


Shutting off the water and electricity supplies
Cleaning the dishwasher
Preventing unpleasant odours
Cleaning the sprayer arms
Cleaning the water inlet filter
Cleaning the filters
Leaving the machine unused for extended periods

Troubleshooting, 14

Product fiche

EN

Product Fiche	
Brand	INDESIT
Model	DFG 26B10
Rated capacity in standard place settings (1)	13
Energy efficiency class on a scale from A+++ (low consumption) to D (high consumption)	A+
Energy consumption per year in kWh (2)	295.0
Energy consumption of the standard cleaning cycle in kWh	1.04
Power consumption of the off-mode in W	0.5
Power consumption of the left-on mode in W	5.0
Water consumption per year in litres (3)	3080.0
Drying efficacy class on a scale from G (low efficacy) to A (high efficacy)	A
Programme time for standard cleaning cycle in minutes	190
The duration of the left-on mode in minutes	10
Noise in dB(A) Re 1pW	51
Built-in model	NO
NOTES	
1) The information on the label and fiche relates to the standard cleaning cycle, this programme is suitable to clean normally soiled tableware and it is the most efficient programme in terms of combined energy and water consumption. The standard cleaning cycle corresponds to the Eco cycle.	
2) Based on 280 standard cleaning cycles using cold water fill and the consumption of the low power modes. Actual energy consumption depends on how the appliance is used.	
3) Based on 280 standard cleaning cycles. Actual water consumption depends on how the appliance is used.	

 This appliance was designed and manufactured in compliance with international safety standards. The following information has been provided for safety reasons and should therefore be read carefully.

Keep this instruction manual in a safe place for future reference. If the appliance is sold, given away or moved, please ensure the manual is kept with the machine.

Please read these instructions carefully: they contain important information on installation, use and safety.

This appliance is designed for domestic use or similar applications, for example:

- staff kitchen areas in shops, offices and other work environments;
- farmhouses;
- use by guests in hotels, motels and other residential settings;
- bed & breakfasts.

General safety

- The appliance should not be operated by people (including children) with reduced physical, sensory or mental capacities, or by inexperienced people who are not familiar with the product, unless supervision or instructions on how to use it are provided by someone who assumes responsibility for their safety.
- An adult must supervise children at all times to prevent them from playing with the appliance.
- The appliance was designed for domestic use inside the home and is not intended for commercial or industrial use.
- The appliance must be used by adults only to wash domestic crockery in accordance with the instructions in this manual.
- The appliance must not be installed outdoors, even in covered areas. It is extremely dangerous to leave the machine exposed to rain and storms.
- Do not touch the appliance when barefoot.
- When unplugging the appliance always pull the plug from the mains socket. Do not pull on the cable.
- The water supply tap must be shut off and the plug should be removed from the electrical socket before cleaning or maintaining the appliance.
- If the appliance breaks down, do not under any circumstances touch the internal parts in an attempt to perform the repair work yourself.
- Do not lean or sit on the open door of the appliance: this may cause the appliance to overturn.
- The door should not be left open as it may create a dangerous obstacle.
- Keep detergent and rinse aid out of reach of children.
- The packaging material should not be used as a toy for children.

Disposal

- Disposal of packaging material: observe local legislation so that the packaging may be reused.
- The European Directive 2012/19/EU relating to Waste Electrical and Electronic Equipment (**WEEE**) states that household appliances should not be disposed of using the normal solid urban waste cycle. Exhausted appliances should be collected separately in order to optimise the re-using and recycling rate of the materials inside the machine, while preventing potential damage to the environment and public health. The crossed-out dustbin symbol is marked on all products to remind the owners of their obligations regarding separated waste collection. For further information relating to the correct disposal of household appliances, owners may contact the relevant public authority or the local appliance dealer.

Saving energy and respecting the environment

Saving water and energy

- Only begin a wash cycle when the dishwasher is full. While waiting for the dishwasher to be filled, prevent unpleasant odours using the Soak cycle (*see Wash cycles*).
- Select a wash cycle that is suited to the type of crockery and to the soil level of the crockery using the Table of wash cycles:
 - for dishes with a normal soil level use the Eco wash cycle, which ensures low energy/water consumption levels.
 - If the load is smaller than usual activate the Half Load option* (*see Start-up and use*).
- If your electricity supply contract gives details of electricity-saving time bands, run wash cycles when electricity prices are lower. The Delayed Start button * (*see Start-up and use*) helps you organise the wash cycles accordingly.

Phosphate-free and chlorine-free detergents containing enzymes

- We strongly recommend that you use detergents that do not contain phosphates or chlorine, as these products are harmful to the environment.
- Enzymes provide a particularly effective action at temperatures around 50°C. As a result detergents containing enzymes can be used in conjunction with low-temperature wash cycles in order to achieve the same results as a normal 65°C wash cycle.
- To avoid wasting detergent, use the product in appropriate quantities based on the manufacturer's recommendations, the hardness of the water, the soil level and the quantity of crockery to be washed. Even if they are biodegradable, detergents contain substances which may alter the balance of nature.

* Only available in selected models.

Installation and Assistance

EN

⚠ If the appliance must be moved at any time, keep it in an upright position; if absolutely necessary, it may be tilted onto its back.

Positioning and levelling

1. Remove the appliance from all packaging and check that it has not been damaged during transportation. If it has been damaged, contact the retailer and do not proceed any further with the installation process.

2. Arrange the dishwasher so that its sides or back panel are in contact with the adjacent cabinets or the wall. This appliance can also be recessed under a single worktop* (*see the Assembly Instruction sheet.*)

3. Position the dishwasher on a level sturdy floor. If the floor is uneven, the front feet of the appliance should be adjusted until it reaches a horizontal position. If the appliance is levelled correctly, it will be more stable and much less likely to move or cause vibrations and noise while it is operating.

4*. To adjust the height of the rear foot, turn the red hexagonal bushing on the lower central part at the front of the dishwasher using a hexagonal spanner with an opening of 8 mm. Turn the spanner in a clockwise direction to increase the height and in an anticlockwise direction to decrease it (*see Building-in Instruction sheet attached to the documentation.*)

Connecting the water and electricity supplies

⚠ Connection to the water and electricity supplies should only be performed by a qualified technician.

⚠ The dishwasher should not stand on the water hoses or electricity supply cable.

⚠ The appliance must be connected to the water supply network using new hoses.

Never use old or second hand hose sets. Do not reuse hose sets from any previously installed dishwasher.

The water inlet and outlet hoses and the electricity supply cable may be positioned towards the right or the left in order to achieve the best possible installation.

Connecting the water inlet hose

- To a suitable cold water connection point: before attaching the hose, run the water until it is perfectly clear so that any impurities that may be present in the water do not clog the appliance; after performing this operation, screw the inlet hose tightly onto a tap with a 3/4 gas threaded connection.
- To a suitable hot water connection point: your dishwasher may be supplied with hot water from the mains supply (if you have a central heating system with radiators) provided that it does not exceed a temperature of 60°C.

⚠ Screw the hose to the tap as described for connection to a cold water supply.

⚠ If the inlet hose is not long enough, contact a specialist store or an authorised technician (*see Assistance.*)

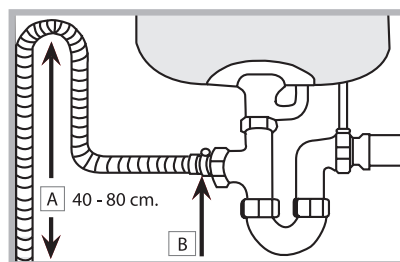
⚠ The water pressure must be within the values indicated in the Technical Data table (*see adjacent information.*)

The hose should not be bent or compressed.

Connecting the water outlet hose

Connect the outlet hose (without bending it) to a drain duct with a minimum diameter of 4 cm.

The outlet hose must be at a height ranging from 40 to 80 cm from the floor / surface where the dishwasher rests (A).



Before connecting the water outlet hose to the sink drain, remove the plastic plug (B).

Anti-flooding protection

To ensure floods do not occur, the dishwasher:

- is provided with a special system which blocks the water supply in the event of anomalies or leaks from inside the appliance.
- Some models are also equipped with the supplementary safety device **New Acqua Stop***, which guarantees anti-flooding protection even in the event of a supply hose rupture.



WARNING: HAZARDOUS VOLTAGE!

Under no circumstances should the water inlet hose be cut, as it contains live electrical parts.

Electrical connection

Before inserting the plug into the electrical socket, make sure that:

- The socket is earthed and complies with current regulations.
- the socket can withstand the maximum load of the appliance, which is indicated on the data plate located on the inside of the door (*see Description of the appliance*);
- The power supply voltage falls within the values indicated on the data plate on the inside of the door.
- The socket is compatible with the plug of the appliance. If this is not the case, ask an authorised technician to replace the plug (*see Assistance*); do not use extension cables or multiple sockets.

⚠ Once the appliance has been installed, the power supply cable and the electrical socket should be easily accessible.

⚠ The cable should not be bent or compressed.

⚠ If the power supply cable is damaged, it must be replaced by the manufacturer or its Technical Assistance Service in order to prevent all potential hazards (*see Assistance.*)


* Only available in selected models.

Anti-condensation strip*

After installing the dishwasher, open the door and stick the adhesive transparent strip under the wooden shelf in order to protect it from any condensation which may form.

Advice regarding the first wash cycle

After the installation, remove the stoppers from the racks and the retaining elastic elements from the upper rack, if any. Immediately before the first washing, completely fill the salt dispenser with water and add only then approximately 1 kg of salt (*see chapter entitled Rinse aid and refined salt*). The water may overflow: this is normal and is not a cause for concern. Select the water hardness value (*see chapter entitled Rinse aid and refined salt*). - After the salt has been poured into the machine, the LOW SALT indicator light* switches off.

 If the salt container is not filled, the water softener and the heating element may be damaged as a result.

Assistance

Before contacting Assistance:

- Check whether the problem can be resolved using the Troubleshooting guide (*see Troubleshooting*).
- Restart the programme to check whether the problem has ceased to exist.
- If the problem persists, contact the Authorised Technical Assistance Service.

 **Never use the services of unauthorised technicians.**

Please have the following information to hand:



- The type of malfunction.
- The appliance model (Mod.).
- The serial number (S/N).

This information can be found on the appliance data plate (*see Description of the appliance*).

The machine has a buzzer/set of tones (*depending on the dishwasher model*) to inform the user that a command has been implemented: power on, cycle end etc. *

The symbols/indicator lights/LEDs on the control panel/display may vary in colour and may have a flashing or fixed light (*depending on the dishwasher model*).

The display* provides useful information concerning the type of wash cycle, drying/wash-cycle phase, remaining time, temperature etc etc.

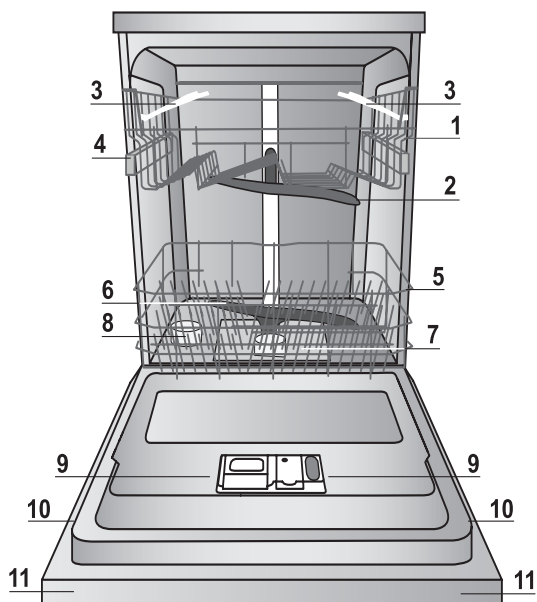
Technical data	
Dimensions	width 60 cm height 85 cm depth 60 cm
Capacity	13 standard place-settings
Water supply pressure	0,05 ÷ 1MPa (0.5 ÷ 10 bar) 7,25 – 145 psi
Power supply voltage	See appliance data plate
Total absorbed power	See appliance data plate
Fuse	See appliance data plate
 	This dishwasher conforms to the following European Community Directives: -2006/95/EC (Low Voltage) -2004/108/EC (Electromagnetic Compatibility) -2009/125/EC (Comm. Reg. 1016/2010) (Ecodesign) -97/17/EC (Labelling) -2012/19/EU Waste Electrical and Electronic Equipment (WEEE)

* Only available in selected models.

Description of the appliance

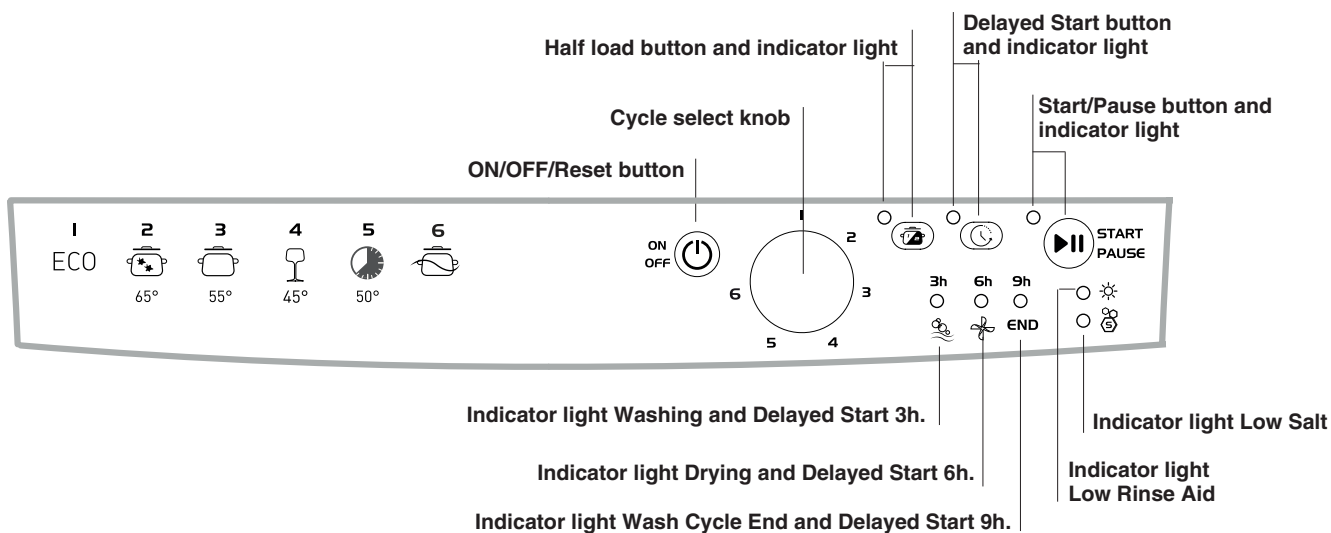
EN

Overall view



- 1. Upper rack
- 2. Upper sprayer arm
- 3. Tip-up dispensers
- 4. Rack height adjuster
- 5. Lower rack
- 6. Lower sprayer arm
- 7. Washing filter
- 8. Salt dispenser
- 9. Detergent dispenser, rinse-aid dispenser and Active Oxygen device*
- 10. Data plate
- 11. Control panel***

Control panel



*** Only in completely built-in models.

* Only available in selected models.

The number and type of wash cycles and options may vary depending on the dishwasher model.

Tips

Before loading the racks, remove all food residues from the crockery and empty liquids from glasses and containers. **No preventive rinsing is needed under running water.**

Arrange the crockery so that it is held in place firmly and does not tip over; and arrange the containers with the openings facing downwards and the concave/convex parts placed obliquely, thus allowing the water to reach every surface and flow freely. Make sure that the lids, handles, trays and frying pans do not prevent the sprayer arms from rotating. Place any small items in the cutlery basket.

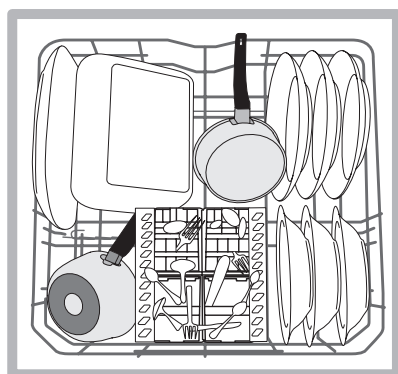
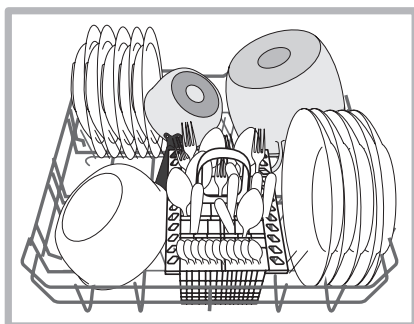
Since plastic dishes and non-stick frying pans usually retain more water drops, their drying will be not so good as that of ceramic or stainless-steel dishes.

Lightweight items such as plastic containers should be placed in the upper rack and arranged so that they cannot move.

After loading the appliance, make sure that the sprayer arms can rotate freely.

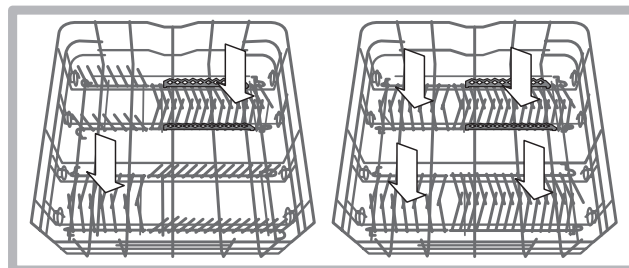
Lower rack

The lower rack can hold pans, lids, dishes, salad bowls, cutlery etc. Large plates and lids should ideally be placed at the sides.



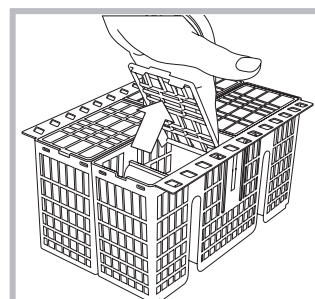
Very soiled dishes and pans should be placed in the lower rack because in this sector the water sprays are stronger and allow a higher washing performance.


Several dishwasher models are fitted with tip-up sectors*. They can be used in a vertical position when arranging dishes or in a horizontal position (lower) to load pans and salad bowls easily.



Cutlery basket

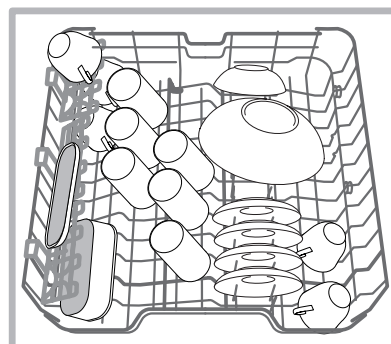
The basket is equipped with top grilles for improved cutlery arrangement. The cutlery basket should be positioned **only** at the front of the lower rack



 Knives and other utensils with sharp edges must be placed in the cutlery basket with the points facing downwards or they must be positioned horizontally in the tip-up compartments on the upper rack

Upper rack

Load this rack with delicate and lightweight crockery such as glasses, cups, saucers and shallow salad bowls.



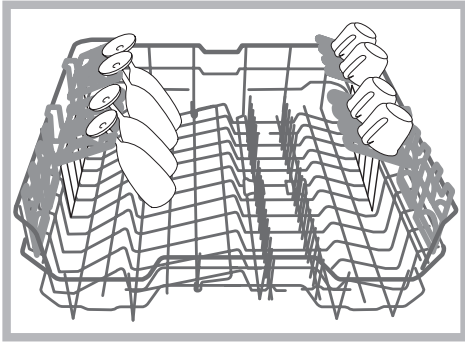
Several dishwasher models are fitted with tip-up sectors*. They can be used in a vertical position when arranging tea/dessert saucers or in a lower position to load bowls and food containers.

*Only available in selected models with different numbers and positions.

Tip-up compartments with adjustable position

The side tip-up compartments can be positioned at three different heights to optimize the arrangement of crockery inside the rack.

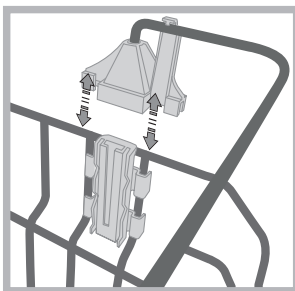
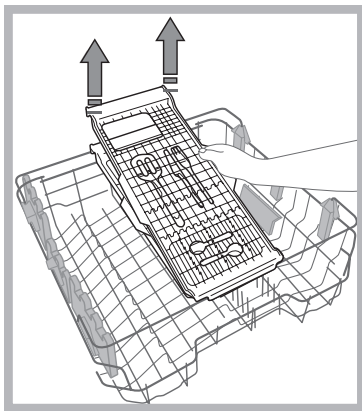
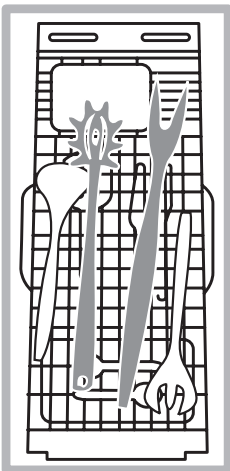
Wine glasses can be placed safely in the tip-up compartments by inserting the stem of each glass into the corresponding slots.



Cutlery tray*

Some dishwasher models are fitted with a sliding tray which can be used to hold serving utensils or small cups. For optimum washing performance, avoid positioning bulky crockery directly below the tray.

The cutlery tray can be removed (see Figure).



Before loading the tray, make sure the supports are properly coupled to the upper rack (see Figure).

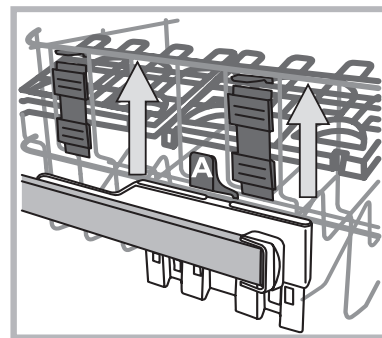
The upper rack can be adjusted for height based on requirements: high position to place bulky crockery in the lower rack and low position to make the most of the tip-up compartments/sectors by creating more space upwards.

Adjusting the height of the upper rack

In order to make it easier to arrange the crockery, the upper rack may be moved to a higher or lower position.

The height of the upper rack should be adjusted WHEN THE RACK IS EMPTY.

NEVER raise or lower the rack on one side only.



If the rack is equipped with a **Lift-Up device*** (see figure), lift it up by holding its sides. To restore the lower position, press the levers (A) at the sides of the rack and follow the rack down.

Unsuitable crockery

- Wooden crockery and cutlery.
- Delicate decorated glasses, artistic handicraft and antique crockery. Their decorations are not resistant.
- Parts in synthetic material which do not withstand high temperatures.
- Copper and tin crockery.
- Crockery soiled with ash, wax, lubricating grease or ink.

The colours of glass decorations and aluminium/silver pieces can change and fade during the washing process. Some types of glass (e.g. crystal objects) can become opaque after a number of wash cycles too.

Damage to glass and crockery

Caused by:

- Type of glass and glass production process.
- Chemical composition of detergent.
- Water temperature of rinse cycle.


Tips:

- Only use glasses and porcelain guaranteed by the manufacturer as dishwasher safe.
- Use a delicate detergent suitable for crockery.
- Collect glasses and cutlery from the dishwasher as soon as the wash cycle is over.

* Only available in selected models.

Starting the dishwasher

1. Turn the water tap on.
2. Switch on the appliance by pressing the ON/OFF button.
3. Open the door and pour in a suitable amount of detergent (see *Measuring out the detergent*).
4. Load the racks (see *Loading the racks*) and shut the door.
5. Select the wash cycle by turning the SELECT WASH CYCLE knob: align the notch on the knob with the number or symbol representing the desired wash cycle. The START/PAUSE indicator light will go on.
6. Select the wash options* (see *Options and Special Wash Cycles*).
7. Start the cycle by pressing the START button; the indicator light will stop flashing and stay lit (fixed light). The indicator light corresponding to the wash phase will go on, signalling that the wash cycle has begun.
8. At the end of the wash cycle the END indicator light will go on (fixed light). Switch off the appliance by pressing the ON/OFF button, shut off the water tap and unplug the appliance from the electricity socket.
9. Wait a few minutes before removing the crockery to avoid getting burnt. Unload the racks, beginning with the lower level.


 - The machine will switch off automatically during long periods of inactivity in order to minimise electricity consumption.


Changing a wash cycle in progress

If a mistake was made in the wash-cycle selection process, it is possible to change the cycle provided that it has only just begun: once the wash cycle has started, in order to change the wash cycle switch off the machine by pressing and holding the ON/OFF/Reset button. Switch it back on using the same button and select the desired wash cycle and options.

Adding extra crockery

Press the Start/Pause button and open the door, taking care to avoid the escaping steam, and place the crockery inside the dishwasher. Press the Start/Pause button: The cycle will start again after a long beep has been emitted.

 If the delayed start has been set, at the end of the countdown the wash cycle will not start. It will stay in Pause mode.

 Press the Start/Pause button to pause the machine; the wash cycle is stopped.

At this stage the wash cycle cannot be changed.

Accidental interruptions

If the door is opened during the wash cycle or there is a power cut, the cycle stops. It starts again from the point at which it was interrupted once the door has been shut or the electricity supply restored.

* Only available in selected models.

Measuring out the detergent

A good wash result also depends on the correct amount of detergent being used. Exceeding the stated amount does not result in a more effective wash and increases environmental pollution.

Based on how soiled the items are, the amount can be adjusted to individual cases using powder or liquid detergent.

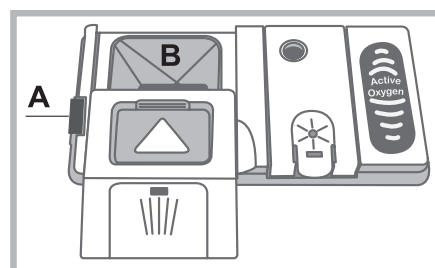
In the case of normally soiled items, use approximately either 35 gr (powder detergent) or 35 ml (liquid detergent). If tablets are used, one tablet will be enough.

If the crockery is only lightly soiled or if it has been rinsed with water before being placed in the dishwasher, reduce the amount of detergent used accordingly.

For good washing results also follow the instructions shown on the detergent box.

For further questions please ask the detergent producers' Advice Offices.

To open the detergent dispenser use the opening device "A".



Introduce the detergent into the dry dispenser "B" only. Place the amount of detergent for pre-washing directly inside the tub.

1. When measuring out the detergent refer to the Table of wash cycles to add the proper quantity. Compartment B comprises a level showing the maximum quantity of liquid or powder detergent that can be added to each cycle.

2. Remove detergent residues from the edges of the dispenser and close the cover until it clicks.

3. Close the lid of the detergent dispenser by pulling it up until the closing device is secured in place. The detergent dispenser automatically opens up at the right time according to the wash cycle.

If all-in-one detergents are used, we recommend using the TABS option, because it adjusts the cycle so that the best washing and drying results are always achieved.

 **Only use detergent which has been specifically designed for dishwashers.**

DO NOT USE washing-up liquid.

Using excessive detergent may result in foam residue remaining in the machine after the cycle has ended.

The use of tablets is only recommended for models which offer the MULTI-FUNCTIONAL TABLETS option.






To achieve the best results from each washing and drying cycle, powder detergent, liquid rinse aid and salt should be used.

Wash cycles

EN

Wash-cycle data is measured under laboratory conditions according to European Standard EN 50242.
Based on the different conditions of use, the wash-cycle duration and data can change.

⚠ The number and type of wash cycles and options may vary depending on the dishwasher model.

Wash Cycle	Drying	Options	Wash Cycle Duration	Water Consumption (l/cycle)	Energy Consumption (kWh/cycle)
1. Eco	Yes	Half Load - Delayed Start	03:10'	11,0	1,04
2. Intensive 	Yes	Half Load - Delayed Start	02:30'	16,5	1,70
3. Normal 	Yes	Half Load - Delayed Start	02:00'	16,0	1,35
4. Delicates 	Yes	Half Load - Delayed Start	01:30'	12,0	1,10
5. Rapid 40' 	No	Delayed Start	00:40'	9,0	0,95
6. Prewash 	No	Half Load - Delayed Start	00:10'	4,0	0,01

Instructions on wash-cycle selection and detergent dosage

- The ECO wash cycle is the standard cycle to which the energy label data refers. It can be used to wash crockery with a normal soil level and is the most efficient cycle in terms of energy and water consumption for this type of crockery.
 27 gr/ml + 6 gr/ml** – 1 Tab (**Quantity of pre-washing detergent)
- Heavily soiled dishes and pans (not to be used for delicate items). 30 gr/ml – 1 Tab
- Normally soiled pans and dishes. 27 gr/ml + 6 gr/ml** – 1 Tab
- Economic and fast wash for delicate items which are sensitive to high temperatures. 30 gr/ml – 1 Tab
- Fast cycle to be used for slightly dirty dishes (ideal for 2 place settings) 25 gr/ml – 1 Tab
- Pre-wash while awaiting completion of the load with the dishes from the next meal. No detergent.

Standby consumption: Left-on mode consumption: 5,0 W - Off mode consumption: 0.5 W

Special wash cycles and Options

Notes:

Optimum performance levels when using the "Rapid" cycle can be achieved by respecting the specified number of place settings.

To reduce consumption even further, only run the dishwasher when it is full.

Note for Test Laboratories: for information on comparative EN testing conditions, please send an email to the following address: assistenza_en_lvs@indesitcompany.com

Wash options*

The OPTIONS may only be set, changed or reset after the wash cycle has been selected and before the Start/Pause button has been pressed.

Only the options which are compatible with the type of wash cycle set may be selected. If an option is not compatible with the selected wash cycle (see *Table of wash cycles*), the corresponding symbol/LED flashes rapidly 3 times.

If an option is selected which is not compatible with another previously-selected option, it will flash 3 times and go off, while the most recently selected option will remain active. To deselect an option which has been set by mistake, press the corresponding button again.



Half load

If there are not many dishes to be washed, a half load cycle may be used in order to save water, electricity and detergent. Select the wash cycle and press the HALF LOAD button; the indicator light will go on. Press the HALF LOAD button again to deselect this option.

Remember to halve the amount of detergent.



Delayed start

It is possible to delay the start time of the wash cycle by **3, 6 or 9** hours:

- 1: After selecting the desired wash cycle and any other options, press the DELAYED START button. The indicator light will go on.
- 2: Select the desired delay time by pressing the Delayed Start button repeatedly. The wash phase (3 hours), drying phase (6 hours) and end (9 hours) indicator lights will go on in succession.
- If the Delayed Start button is pressed again, the option is deselected and the indicator light goes off.
3. After the selection process, the countdown will begin if the Start/Pause button is pressed. The selected delay-period indicator light flashes and the Start/Pause button stops flashing (fixed light).
3. Once this time has elapsed, the DELAYED START indicator light goes off and the wash cycle begins.

The Delayed Start function cannot be set once a wash cycle has started.

* Only available in selected models.

Rinse aid and refined salt

EN

⚠ Only use products which have been specifically designed for dishwashers.

Do not use table/industrial salt or washing-up liquid. Follow the instructions given on the packaging.

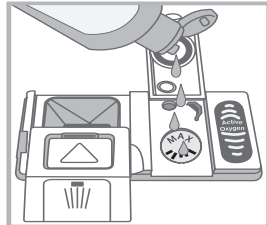
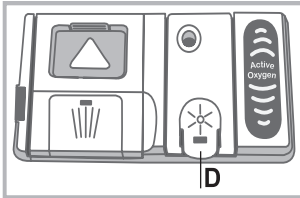
⚠ If using a multi-functional product it is not necessary to add any rinse aid. However, **we recommend that you add salt, especially if you live in an area where the water is hard or very hard.** (Follow the instructions given on the packaging).

⚠ If you do not add salt or rinse aid, the **LOW SALT*** and **LOW RINSE AID*** indicator lights will stay lit.

Measuring out the rinse aid

Rinse aid makes it easier for the crockery to dry, as water runs off the surfaces more readily and therefore does not leave streaks or marks. The rinse aid dispenser should be filled:

- When the LOW RINSE AID indicator light* on the control panel is illuminated, a reserve supply of rinse aid is still available for 1-2 cycles;



1. Open the dispenser "D" by pressing and pulling up the tab on the lid;
2. Carefully introduce the rinse aid as far as the maximum reference notch of the filling space - avoid spilling it. If this happens, clean the spill immediately with a dry cloth.
3. Press the lid down until you hear a click to close it.

NEVER pour the rinse aid directly into the appliance tub.

Adjusting the amount of rinse aid

If you are not completely satisfied with the drying results, you can adjust the quantity of rinse aid. Switch the dishwasher on and off using the ON/OFF button. Press the Start/Pause button 3 times; switch on the machine using the ON/OFF button and access the adjustment menu - the rinse-aid indicator light is lit (set to factory level).

Adjust the level of rinse aid supply using the WASH CYCLE SELECT knob. There is a rinse aid level for each wash cycle (0 to 4 max).

Press the ON/OFF button to save the setting.

If the rinse aid level is set to ZERO (ECO), no rinse aid will be supplied. The LOW RINSE AID indicator light will not be lit if you run out of rinse aid.

- If there are streaks on the crockery, set a low number (1-2).
- If there are drops of water or limescale marks, set a high number (3-4).

Setting the water hardness

Every dishwasher is equipped with a water softener which, by using refined salt designed specially for this type of appliance, supplies water without limescale which is then used to wash the crockery.

This dishwasher has a setting that helps reduce pollution and optimises washing performance in accordance with the water

hardness level in your area. Ask your local water supplier for this information.

- Switch on the dishwasher using the ON/OFF button, wait a few seconds and switch it off using the ON/OFF button. Hold down the Start/Pause button for min. 3 seconds; switch on the machine using the ON/OFF button and access the adjustment menu - the salt indicator light is lit.

-Select the desired level using the SELECT WASH CYCLE knob (1 to 5* Max.)

(water softener set to medium level).

Press the ON/OFF button to save the setting.

Even if using multi-functional tablets, fill the salt dispenser.

Water Hardness Table				Average salt dispenser capacity duration**
level	°dH	°fH	mmol/l	months
1	0 - 6	0 - 10	0 - 1	7 months
2	6 - 11	11 - 20	1,1 - 2	5 months
3	12 - 17	21 - 30	2,1 - 3	3 months
4	17 - 34	31 - 60	3,1 - 6	2 months
5*	34 - 50	61 - 90	6,1 - 9	2/3 weeks

For values between 0°f and 10°f, we do not recommend the use of salt.

* a setting of 5 may increase cycle duration.

** 1 wash cycle per day.

(°dH = hardness measured in German degrees - °f = hardness measured in French degrees - mmol/l = millimoles per litre)

Measuring out the refined salt

In order to obtain the best possible results from a wash cycle, make sure that the salt dispenser is never empty.

Refined salt removes limescale from the water, thus avoiding the formation of deposits on crockery.

The salt dispenser is located in the lower part of the dishwasher (see Description) and should be filled:

- When the green float* cannot be seen by simply looking at the cap of the salt dispenser;
- When the LOW RINSE AID indicator light on the control panel is illuminated*;



1. Remove the lower rack and unscrew the cap (anticlockwise).

2. The first time you do this: fill the water tank right up to its edge.

3. Position the funnel* (see figure) and fill the salt dispenser up to the edge (approximately 1 kg). It is normal for a

little water to leak out.

4. Remove the funnel* and wipe any salt residues away from the opening; rinse the cap under running water and then screw it on, the head facing downwards so as to let the water flow out of the four slots (star-shaped arrangement) in the lower part of the cap (cap with green float*).

It is advisable to perform this procedure every time you add salt to the dispenser.

Make sure the cap is screwed on tightly so that no detergent can get into the container during the wash cycle (this could damage the water softener beyond repair).

⚠ When necessary, measure out the salt before a wash cycle so that any saline solution which has leaked out of the salt dispenser is removed.

* Only available in selected models.

Shutting off the water and electricity supplies

- Turn off the water tap after every wash cycle to avoid leaks.
- Always unplug the appliance when cleaning it and when performing maintenance work.

Cleaning the dishwasher

- The external surfaces of the machine and the control panel can be cleaned using a non-abrasive cloth which has been dampened with water. Do not use solvents or abrasive products.
- Any marks on the inside of the appliance may be removed using a cloth dampened with water and a little vinegar.

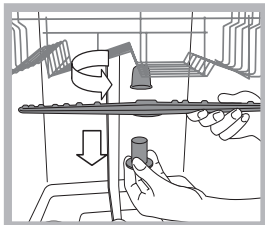
Preventing unpleasant odours

- Always keep the door of the appliance ajar in order to avoid moisture from forming and being trapped inside the machine.
- Clean the seals around the door and detergent dispensers regularly using a damp sponge. This will avoid food becoming trapped in the seals, which is the main cause behind the formation of unpleasant odours.

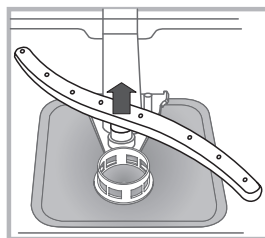
Cleaning the sprayer arms

Food residue may become encrusted onto the sprayer arms and block the holes used to spray the water. It is therefore recommended that you check the arms from time to time and clean them with a small non-metallic brush.

The two sprayer arms may both be removed.



To remove the upper sprayer arm, turn the plastic locking ring in an anti-clockwise direction. The upper sprayer arm should be replaced so that the side with the greater number of holes is facing upwards.



The lower sprayer arm can be removed by pressing on the side tabs and pulling it upwards.

Cleaning the filters

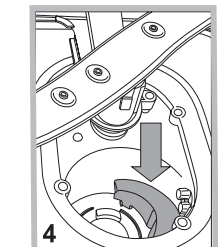
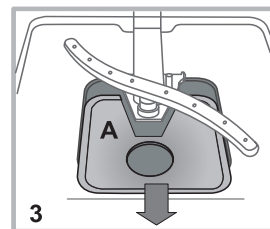
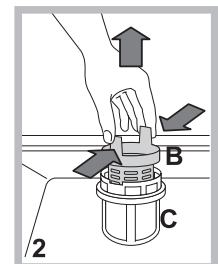
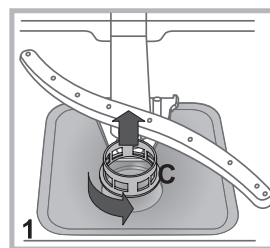
The filter assembly consists of three filters which remove food residues from the washing water and then recirculate the water. They should be cleaned if you wish to achieve the best results in every wash.

Clean the filters regularly.

The dishwasher should not be used without filters or if the filter is loose.

- After several washes, check the filter assembly and if necessary clean it thoroughly under running water, using a non-metallic brush and following the instructions below:

1. Turn the cylindrical filter **C** in an anti-clockwise direction and pull it out (*fig. 1*).
2. Remove the cup filter **B** by exerting a slight pressure on the side flaps (*fig. 2*);
3. Slide out the stainless-steel plate filter **A**. (*fig. 3*).
4. Inspect the trap and remove any food residues. **NEVER REMOVE** the wash-cycle pump protection (*black detail*) (*fig. 4*).



After cleaning the filters, re-place the filter assembly and fix it in position correctly; this is essential for maintaining the efficient operation of the dishwasher.

Leaving the machine unused for extended periods

- Disconnect the appliance from the electricity supply and shut off the water tap.
- Leave the door of the appliance ajar.
- When you return, run a wash cycle when the dishwasher is empty.

Cleaning the water inlet filter*

If the water hoses are new or have not been used for an extended period of time, let the water run to make sure it is clear and free of impurities before performing the necessary connections. If this precaution is not taken, the water inlet could become blocked and damage the dishwasher.

Clean the water inlet filter at the tap outlet regularly.

- Turn off the water tap.
- Unscrew the end of the water inlet hose, remove the filter and clean it carefully under running water.
- Re-place the filter and screw the water hose back into position.

* Only available in selected models.

Troubleshooting

EN

Whenever the appliance fails to work, check for a solution from the following list before calling for Assistance.

Problem:	Possible causes / solutions:
The dishwasher cannot be started or controlled.	<ul style="list-style-type: none"> • Switch off the appliance by pressing the ON/OFF button. Switch it back on after approximately one minute and reset the program. • The appliance has not been plugged in properly. • The dishwasher door has not been shut properly.
The door won't close.	<ul style="list-style-type: none"> • The lock was released. Strongly push the door until a "clacking" noise is heard.
No water drains from the dishwasher.	<ul style="list-style-type: none"> • The dishwasher cycle has not finished yet. • The water drain hose is bent (see Installation). • The drain duct is blocked. • The filter is clogged up with food residues.
The dishwasher is too noisy.	<ul style="list-style-type: none"> • The dishes are rattling against each other or against the sprayer arms. • An excessive amount of foam has been produced: the detergent has not been measured out correctly or it is not suitable for use in dishwashers (see Start-up and use).
The dishes and glasses are covered in a white film or limescale deposits.	<ul style="list-style-type: none"> • The level of refined salt is low or the dosage setting is not suited to the hardness of the water (see Rinse aid and salt). • The lid on the salt dispenser was not closed properly. • The rinse aid has been used up or the dosage is too low.
The dishes and glasses are streaked or have a bluish tinge.	<ul style="list-style-type: none"> • The rinse aid dosage is too high.
The crockery has not been dried properly.	<ul style="list-style-type: none"> • A wash cycle without a drying cycle has been selected. • The rinse aid has been used up or the dosage is too low (see Rinse aid and salt). • The rinse aid setting is not suitable. • The crockery is made from non-stick material or plastic.
The crockery is not clean.	<ul style="list-style-type: none"> • The racks are overloaded (see Loading the racks.) • The crockery has not been arranged properly. • The sprayer arms cannot move freely. • The wash cycle is too gentle (see Wash cycles). • An excessive amount of foam has been produced: the detergent has not been measured out correctly or it is not suitable for use in dishwashers (see Start-up and use). • The lid on the rinse aid compartment was not shut correctly. • The filter is dirty or blocked (see Care and maintenance). • The refined salt level is low (see Rinse aid and salt).
The dishwasher does not take any water in - Tap shut-off alarm. (The Drying and End indicator lights flash quickly.)	<ul style="list-style-type: none"> • There is no water in the mains supply. • The water inlet hose is bent (see Installation). • Turn on the tap and the appliance will start after a few minutes. • The appliance stopped because no action was taken when the beep sounded*. (<i>*Only available on selected models.</i>) Switch off the machine using the ON/OFF button, turn on the tap and switch the machine back on after 20 seconds by pressing the same button. Reset the appliance and restart the wash cycle.

* Only available in selected models.

ES

Español, 15

DFG 26B10

Sumario

Ficha del producto, 16

Precauciones y consejos, 17

Seguridad general

Eliminación

Ahorrar y respetar el medio ambiente

Instalación y Asistencia, 18-19

Colocación y nivelación

Conexiones hidráulicas y eléctricas

Datos técnicos

Advertencias para el primer lavado

Asistencia

Descripción del aparato, 20

Vista de conjunto

Panel de mandos

Cargar los cestos, 21-22

Cesto inferior

Cesto de los cubiertos

Cesto superior

Regulación del cesto superior

Puesta en funcionamiento y uso, 23

Poner en funcionamiento el lavavajillas

Cargar el detergente

Programas, 24

Tabla de programas

Programas especiales y opciones, 25

Abrillantador y sal regeneradora, 26

Cargar el abrillantador

Cargar la sal regeneradora

Mantenimiento y cuidados, 27

Interrumpir el agua y la corriente eléctrica

Limpiar el lavavajillas

Evitar los malos olores

Limpiar los rociadores

Limpieza del filtro de entrada de agua

Limpiar los filtros


Si se ausenta durante largos períodos

Anomalías y soluciones, 28

Ficha del producto

ES

Ficha del producto	
Marca	INDESIT
Modelo	DFG 26B10
Capacidad nominal en número de cubiertos estándar (1)	13
Clase de eficiencia energética sobre una escala de A+++ (bajo consumo) a D (alto consumo)	A+
Consumo energético anual en kWh (2)	295.0
Consumo energético del ciclo de lavado estándar en kWh	1.04
Consumo de potencia en el modo apagado en W	0.5
Consumo de potencia en el modo espera en W	5.0
Consumo de agua anual en litros (3)	3080.0
Clase de eficacia de secado sobre una escala de G (eficacia mínima) a A (eficacia máxima)	A
Duración del programa por ciclo de lavado estándar en minutos	190
Duración del modo espera en minutos	10
Nivel de ruido en dB(A) re 1 pW	51
Modelo de encastre	No
NOTAS	
1) La información contenida en la etiqueta y la ficha se refiere al ciclo estándar de lavado, este programa está diseñado para lavar normalmente vajillas manchadas y es el programa más eficiente en términos de consumo combinado de agua y energía. El ciclo estándar de lavado se corresponde con el ciclo Eco.	
2) Basado en 280 ciclos de lavado estándar con agua fría y consumo de modos de bajo consumo energético. El consumo actual dependerá de cómo se utilice el aparato.	
3) Basado en 280 ciclos de lavado estándar. El consumo actual de agua depende de cómo se utilice el aparato.	

 El aparato ha sido proyectado y fabricado en conformidad con las normas internacionales de seguridad. Estas advertencias se suministran por razones de seguridad y deben ser leídas atentamente.

Es importante conservar este manual para poder consultarlo en cualquier momento. En caso de venta, de cesión o de traslado, el manual debe permanecer junto al aparato.

Lea atentamente las instrucciones: contienen información importante sobre la instalación, sobre el uso y sobre la seguridad.

Este aparato ha sido proyectado para uso doméstico y para aplicaciones similares, por ejemplo:

- áreas destinadas a cocina, para el personal en tiendas, oficinas y otros ambientes de trabajo;
- cortijos;
- uso por parte de clientes en hoteles, moteles y otros ambientes de tipo residencial;
- alojamientos con desayuno.

Seguridad general

- Este electrodoméstico no puede ser utilizado por niños ni por personas con capacidades físicas, sensoriales o psíquicas reducidas, o carentes de la experiencia y los conocimientos necesarios para utilizarlo, salvo que lo hagan bajo la vigilancia o las instrucciones de una persona responsable de su seguridad.
- Es necesaria la vigilancia de un adulto para que los niños no jueguen con el electrodoméstico.
- El aparato ha sido fabricado para un uso de tipo no profesional en el interior de una vivienda.
- El aparato debe ser utilizado para el lavado de vajilla de uso doméstico, sólo por personas adultas y según las instrucciones contenidas en este manual.
- El aparato no se debe instalar al aire libre, ni siquiera si el lugar está protegido, porque es muy peligroso dejarlo expuesto a la lluvia o a las tormentas.
- No tocar el lavavajillas con los pies descalzos.
- No desconectar la clavija de la toma de corriente tirando del cable sino sujetando la clavija.
- Es necesario cerrar el grifo de agua y desconectar la clavija de la toma de corriente antes de realizar operaciones de limpieza y mantenimiento.
- En caso de avería, no acceder nunca a los mecanismos internos para intentar su reparación.
- No apoyarse ni sentarse sobre la puerta abierta: el aparato podría voltearse.
- La puerta no debe dejarse abierta, ya que podría causar tropiezos.
- Conservar el detergente y el abrillantador fuera del alcance de los niños.
- Los embalajes no son juguetes para los niños.

Eliminación

- Eliminación del material de embalaje: respetar las normas locales para que los embalajes puedan ser reutilizados.
- La norma Europea 2012/19/EU sobre desechos de equipos eléctricos y electrónicos (DEEE) establece que los electrodomésticos no se deben eliminar junto con los desechos sólidos urbanos comunes. Los aparatos eliminados deben ser recogidos en forma separada para optimizar la tasa de recuperación y reciclado de los materiales que los componen e impedir que provoquen daños a la salud y el medio ambiente. El símbolo del cubo tachado se encuentra en todos los productos para recordar la obligación de recolección separada. Para mayor información sobre la correcta eliminación de los electrodomésticos, los propietarios podrán dirigirse al servicio público encargado de la recolección o a los revendedores.

Ahorrar y respetar el medio ambiente

Ahorrar agua y energía

- Poner en funcionamiento el lavavajillas sólo con plena carga. A la espera de que la máquina esté llena, prevenir los malos olores con el ciclo Remojo (*ver Programas*).
- Seleccionar un programa adecuado al tipo de vajilla y al grado de suciedad consultando la Tabla de programas:
 - para la vajilla con suciedad normal utilizar el programa Eco, que garantiza un bajo consumo energético y de agua.
 - si la carga es reducida, activar la opción Media carga* (*ver Puesta en funcionamiento y uso*).
- Si el suministro de energía eléctrica prevé horarios de ahorro energético, realizar los lavados en los horarios con tarifa reducida. La opción Inicio diferido* (*ver Puesta en funcionamiento y uso*) puede ayudar a organizar los lavados en ese sentido.

Detergentes sin fosfatos, sin cloro y con contenido de enzimas

- Se aconseja utilizar detergentes sin fosfatos y sin cloro, que son los más indicados para proteger el medio ambiente.
- Las enzimas ejercen una acción particularmente eficaz con temperaturas próximas a los 50°C, por lo tanto, utilizando detergentes con enzimas se pueden elegir lavados a bajas temperaturas y obtener los mismos resultados que si se realizaran a 65°C.
- Para evitar derroches, dosificar el detergente correctamente, teniendo en cuenta las indicaciones del fabricante, la dureza del agua, el grado de suciedad y la cantidad de vajilla. Aún siendo biodegradables, los detergentes contienen elementos que alteran el equilibrio de la naturaleza.

Instalación y Asistencia Técnica

ES

⚠ En caso de traslado mantener el aparato en posición vertical; si fuera necesario inclinarlo, hacerlo hacia la parte posterior.

Colocación y nivelación

1. Desembalar el aparato y comprobar que no haya sufrido daños durante el transporte. Si estuviera dañado, no conectarlo; llamar al revendedor.

2. Colocar el lavavajillas haciendo adherir los costados o la parte posterior a los muebles adyacentes o a la pared. El aparato se puede empotrar debajo de una encimera continua* (*ver hoja de Montaje*).

3. Emplazar el lavavajillas sobre un piso plano y rígido. Compensar las irregularidades desenroscando o enroscando las patas delanteras hasta que el aparato esté en posición horizontal. Una cuidadosa nivelación asegura estabilidad y evita vibraciones, ruidos y desplazamientos.

4*. Para regular la altura de la pata posterior, accionar el casquillo hexagonal rojo que se encuentra en la parte inferior frontal y central del lavavajillas, utilizando una llave de boca hexagonal con una apertura de 8 mm girando en sentido horario para aumentar la altura y en sentido antihorario para disminuirla. (*Ver la hoja de instrucciones para empotrado adjunta a la documentación.*)

Conexiones hidráulicas y eléctricas

⚠ La adaptación de las redes eléctricas e hidráulicas para la instalación debe ser realizada sólo por personal especializado.

⚠ El lavavajillas no se debe apoyar sobre los tubos ni sobre el cable de alimentación eléctrica.

⚠ El aparato debe conectarse a la red de distribución de agua empleando tubos nuevos. No reutilizar los tubos viejos.

Los tubos de carga y de descarga de agua y el cable de alimentación eléctrica se pueden orientar hacia la derecha o hacia la izquierda para permitir una mejor instalación.

Conexión del tubo de carga de agua

- A una toma de agua fría: enroscar bien el tubo de carga a un grifo con boca roscada de 3/4 gas; antes de enroscarlo, dejar correr agua hasta que salga límpida para que las impurezas que pudiera contener no obstruyan el aparato.
- A una toma de agua caliente: en el caso de una instalación centralizada de radiadores, el lavavajillas se puede alimentar con agua caliente de la red, mientras no supere una temperatura de 60°C.

⚠ Enroscar el tubo al grifo de la misma forma descrita para la toma de agua fría.

⚠ Si la longitud del tubo de carga no es adecuada, dirigirse a una tienda especializada o a un técnico autorizado (*ver Asistencia*).

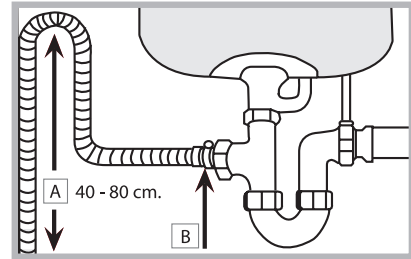
⚠ La presión del agua debe estar comprendida entre los valores indicados en la tabla de Datos técnicos (*ver al lado*).

Comprobar que en el tubo no hayan pliegues ni estrangulaciones.

Conexión del tubo de descarga de agua

Conectar el tubo de descarga, sin plegarlo, a una tubería de descarga con un diámetro mínimo de 4 cm.

El tubo de descarga debe estar a una altura comprendida entre 40 y 80 cm del piso o de la superficie de apoyo del lavavajillas (A).



Antes de conectar el tubo de descarga del agua al sifón del lavabo, quitar el tapón de plástico (B).

Dispositivo de seguridad contra inundación

Para garantizar que no se produzcan inundaciones, el lavavajillas:

- posee un sistema que interrumpe la entrada de agua en el caso de anomalías o de pérdidas desde el interior.

Algunos modelos poseen un dispositivo adicional de seguridad **New Acqua Stop***, que los protege contra inundaciones aún en caso de rotura del tubo de alimentación.



ATENCIÓN: ¡TENSIÓN PELIGROSA!

En ningún caso se debe cortar el tubo de carga de agua porque contiene partes bajo tensión.

Conexión eléctrica

Antes de introducir la clavija en la toma de corriente, comprobar que:

- la toma posea conexión a tierra y que sea conforme con la ley;
- la toma sea capaz de soportar la carga máxima de potencia de la máquina indicada en la placa de características ubicada en la contrapuerta (*ver Descripción del lavavajillas*);
- la tensión de alimentación esté dentro de los valores indicados en la placa de características ubicada en la contrapuerta;
- la toma sea compatible con la clavija del aparato. Si no es así, solicitar la sustitución a un técnico autorizado (*ver Asistencia*); no utilizar prolongaciones ni tomas múltiples.

⚠ Una vez instalado el aparato, el cable de alimentación eléctrica y la toma de corriente deben ser fácilmente accesibles.

⚠ El cable no se debe plegar ni comprimir.

⚠ Si el cable de alimentación está dañado, deberá ser cambiado por el fabricante o por su Servicio de Asistencia Técnica a fin de prevenir riesgos. (*Ver Asistencia*)

* Presente sólo en algunos modelos.


Cinta anticondensación*



Después de haber empotrado el lavavajillas, abra la puerta y pegue la cinta adhesiva transparente debajo de la superficie de madera para protegerla de una posible condensación.

Advertencias para el primer lavado

Después de la instalación, quite los tapones colocados en los cestos y los elementos elásticos de bloqueo del cesto superior (si existen).

Inmediatamente antes del primer lavado, llene completamente de agua el depósito de sal y agregue aproximadamente 1 kg. de sal (ver el capítulo Abrillantador y sal regeneradora): es normal que el agua se derrame. Seleccione el grado de dureza del agua (ver el capítulo Abrillantador y sal regeneradora). - Después de la carga de sal, la luz indicadora de FALTA DE SAL* se apaga.

 Cuando no se llena el contenedor de sal, se puede dañar el ablandador de agua y el elemento que produce calor.

Datos técnicos	
Dimensiones	ancho: 60 cm altura: 85 cm profundidad: 60 cm
Capacidad	13 cubiertos estándar
Presión del agua de alimentación	0,05 ÷ 1MPa (0,5 ÷ 10 bar) 7,25 – 145 psi
Tensión de alimentación	Ver la placa de características
Potencia total absorbida	Ver la placa de características
Fusible	Ver la placa de características
 	Este aparato es conforme a las siguientes Directivas de la Comunidad: -2006/95/EC (Bajo Voltaje) - 2004/108/EC (Compatibilidad Electromagnética) -2009/125/EC (Comm. Reg. 1016/2010) (Ecodesign) -97/17/EC (etiquetado) -2012/19/EC (DEEE)

Asistencia Técnica

Antes de llamar al Servicio de Asistencia Técnica:

- Verifique si la anomalía puede ser resuelta por Ud. mismo (ver *Anomalías y Soluciones*).
- Vuelva a poner en funcionamiento el programa para controlar si el inconveniente ha sido resuelto.
- Si no es así, llame al Servicio de Asistencia Técnica Autorizado.

 **No llame nunca a técnicos no autorizados.**

Comuníquese:

- el tipo de anomalía;
- el modelo de la máquina (Mod.);
- y el número de serie (S/N).

Esta información se encuentra en la placa de características ubicada en el aparato (ver *Descripción del aparato*).

La máquina dispone de señales sonoras/tonos (según el modelo de lavavajillas) que indican la presión del mando: encendido, fin de ciclo, etc.

Los símbolos/testigos/indicadores luminosos presentes en el panel de control/display, pueden variar de color, parpadear o tener luz fija. (según el modelo de lavavajillas).

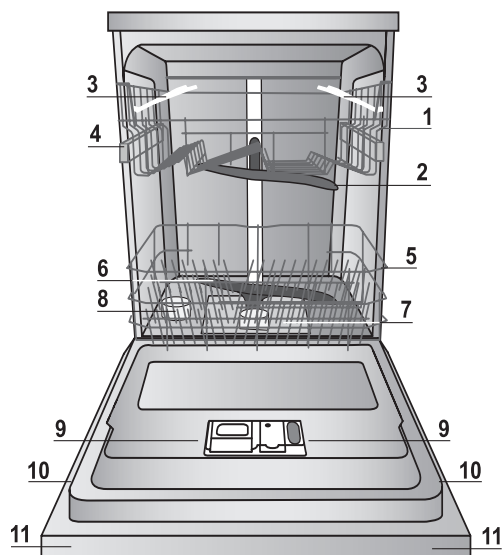
En el display* aparece información sobre el tipo de ciclo programado, la fase de lavado/secado, el tiempo residual, la temperatura, etc.

* Presente sólo en algunos modelos.

Descripción del aparato

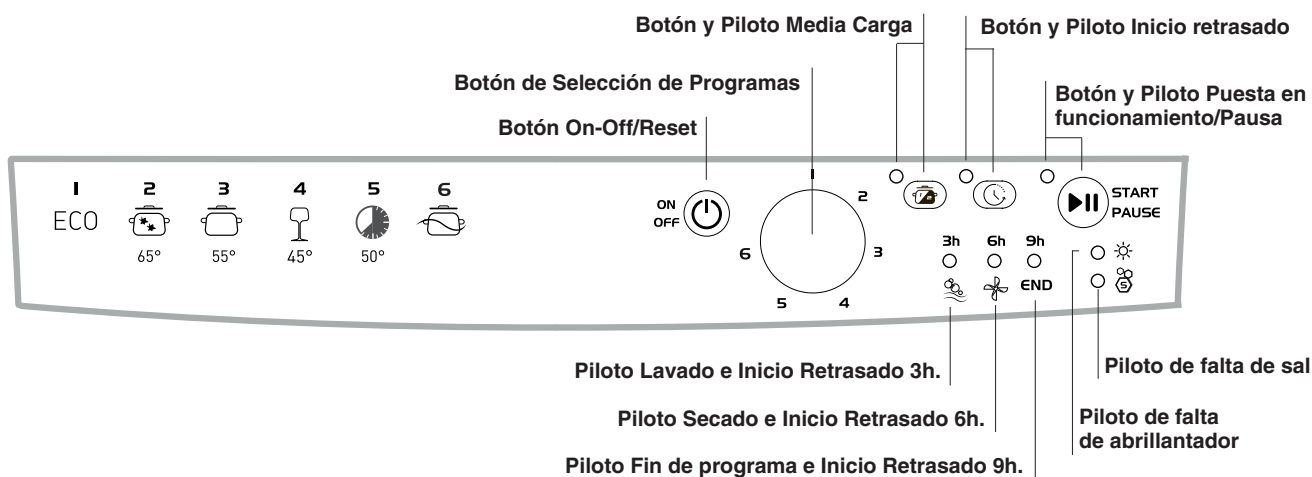
ES

Vista de conjunto



1. Cesto superior
2. Rociador superior
3. Cestos adicionales
4. Regulación de la altura del cesto superior
5. Cesto inferior
6. Rociador inferior
7. Filtro de lavado
8. Depósito de sal
9. Cubeta de detergente, depósito de abrillantador y dispositivo de Active Oxygen*
10. Placa de características
11. Panel de mandos***

Panel de control



*** Sólo en los modelos totalmente empotrados * Presente sólo en algunos modelos.

El número y el tipo de programas y opciones varían según el modelo de lavavajillas.

Sugerencias

Antes de cargar los cestos, eliminar de la vajilla los residuos de alimentos y vaciar los vasos y las copas. **No es necesario aclarar la vajilla con agua corriente.**

Disponer la vajilla de manera que quede firme y no se vuelque. Los recipientes deben colocarse con la abertura hacia abajo y las partes cóncavas o convexas en posición oblicua, para permitir que el agua alcance todas las superficies y fluya.

Asegurarse de que las tapas, las asas, las sartenes y las bandejas no impidan la rotación de los rociadores. Colocar los objetos pequeños en el cesto de los cubiertos.

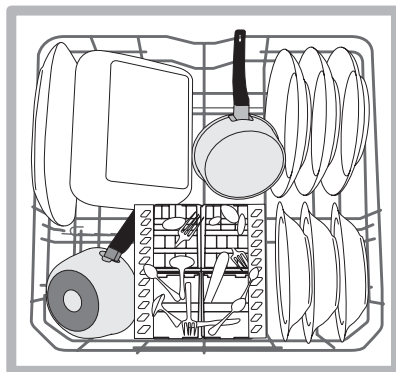
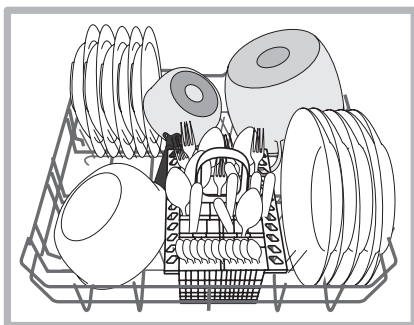
La vajilla de plástico y las sartenes antiadherentes tienden a retener las gotas de agua, por lo que quedarán menos secas que las vajillas de cerámica o acero.

Es conveniente colocar los objetos livianos (por ejemplo, los recipientes de plástico) en el cesto superior, de modo que no puedan moverse.

Una vez terminada la carga, comprobar que los rociadores giren libremente.

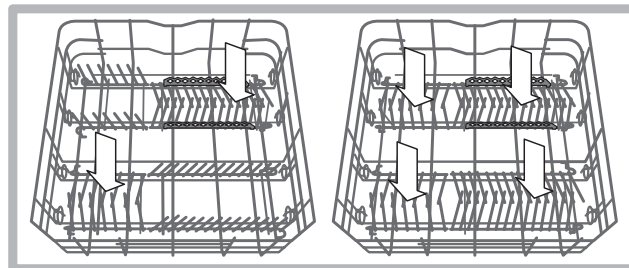
Cesto inferior

El cesto inferior puede contener ollas, tapas, platos, ensaladeras, cubiertos, etc. Los platos y las tapas grandes se deben colocar preferentemente a los costados.



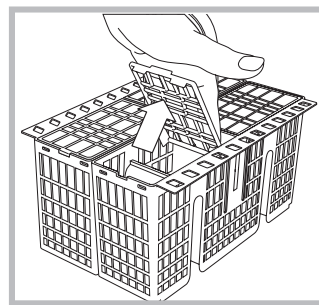
Se recomienda poner la vajilla muy sucia en el cesto inferior, donde los chorros de agua son más energéticos y permiten obtener mejores prestaciones de lavado.

Algunos modelos de lavavajillas tienen sectores reclinables*, que se pueden utilizar en posición vertical, para colocar platos, u horizontal, para colocar ollas y ensaladeras.



Cesto de los cubiertos

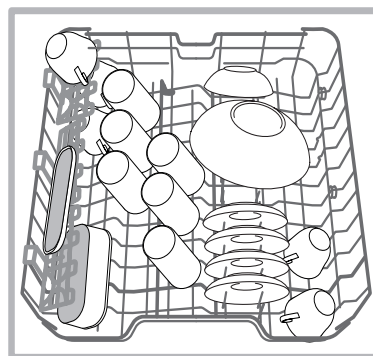
El cesto de los cubiertos tiene rejillas superiores para facilitar la disposición. El cesto se debe colocar **sólo** en la parte delantera del cesto inferior.



Los cuchillos y los utensilios con puntas cortantes se deben colocar con las puntas hacia abajo o en los cestos adicionales del cesto superior en posición horizontal.

Cesto superior

Cargar la vajilla delicada y liviana: vasos, tazas, platitos, ensaladeras bajas.

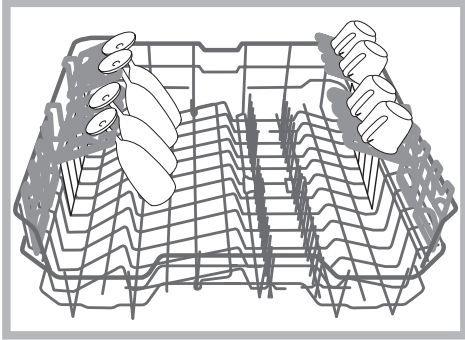


Algunos modelos de lavavajillas tienen sectores reclinables*, utilizables en posición vertical para colocar platitos de té o de postre, o en posición horizontal para colocar escudillas y recipientes.

* Presente sólo en algunos modelos.

Cestos adicionales de posición variable

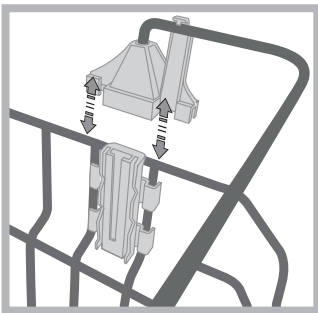
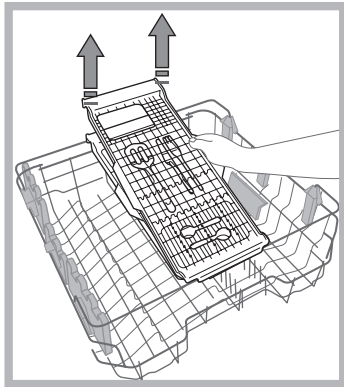
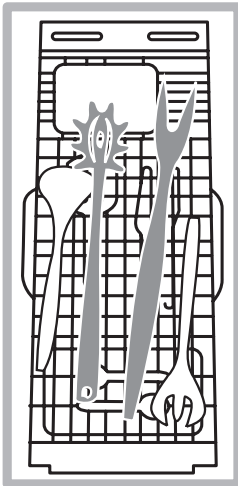
Los cestos adicionales laterales se pueden colocar a tres alturas diferentes para optimizar la disposición de la vajilla en el cesto. Las copas se pueden colocar de forma estable en los cestos adicionales, introduciendo el pie en las ranuras correspondientes.



Bandeja para cubiertos*

Algunos modelos de lavavajillas poseen una bandeja deslizante que se puede utilizar para contener cubiertos para servir o tazas de pequeñas dimensiones. Para mejores prestaciones de lavado, evite cargar vajilla voluminosa debajo de la bandeja.

La bandeja para cubiertos se puede extraer. (ver la figura)



Antes de cargar la bandeja, controle que los soportes estén bien enganchados en el cesto superior. (ver la figura)

* Presente sólo en algunos modelos.

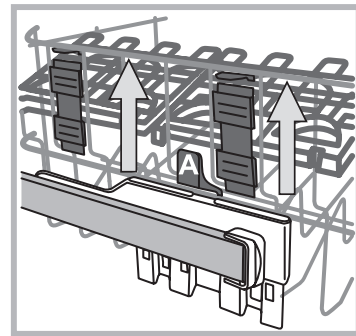
El cesto superior es de altura regulable según las necesidades; la posición más alta facilita la disposición de vajillas voluminosas en el cesto inferior; la posición más baja permite aprovechar los espacios de los cestos adicionales y los sectores reclinables creando más espacio hacia arriba.

Regular la altura del cesto superior

Para facilitar la colocación de la vajilla, el cesto superior se puede ubicar en posición alta o baja.

Es preferible regular la altura del cesto superior con el CESTO VACÍO.

No levantar ni bajar el cesto de un solo lado.



Si el cesto tiene **Lift-Up*** (ver la figura), sujetarlo por los costados y levantarlo. Para volver a la posición inferior, pulsar las palancas (A) a los costados del cesto y acompañarlo hacia abajo.

Vajillas no aptas para el lavado en lavavajillas

- Cubiertos y vajillas de madera.
- Vasos decorados delicados, vajillas artesanales y antigüedades. Las decoraciones no son resistentes.
- Partes en material sintético no resistentes a la alta temperatura.
- Vajilla de cobre o estaño.
- Vajilla sucia de ceniza, cera, grasa lubricante o tinta.

Las decoraciones sobre vidrio, aluminio y plata durante el lavado pueden cambiar de color o descolorarse. Ciertos tipos de vidrio (por ejemplo, los objetos de cristal) después de muchos lavados pueden perder brillo.

Daños al vidrio y a la vajilla

Causas:

- Tipo de vidrio y procedimiento de producción del vidrio.
- Composición química del detergente.
- Temperatura del agua del programa de aclarado.


Consejo:

- Utilizar sólo vasos y porcelana cuya resistencia al lavado en lavavajillas esté garantizada por el fabricante.
- Utilizar detergente delicado para vajilla.
- Sacar los vasos y los cubiertos del lavavajillas lo más pronto posible al finalizar el programa.

Puesta en funcionamiento y uso

Poner en funcionamiento el lavavajillas

1. Abra el grifo de agua.
2. Encienda la máquina presionando el botón ON-OFF.
3. Abrir la puerta y dosificar el detergente (*ver Cargar el detergente*).
4. Cargar los cestos (*ver Cargar los cestos*) y cerrar la puerta.
5. Seleccionar el programa girando el mando SELECCIÓN DE PROGRAMA: hacer coincidir la marca del selector con el número o el símbolo del programa. El piloto correspondiente al botón PUESTA EN FUNCIONAMIENTO/PAUSA (Start/Pause) se iluminará.
6. Seleccionar las opciones de lavado* (*ver programas especiales y opciones*).
7. Ponga en funcionamiento presionando el botón PUESTA EN FUNCIONAMIENTO, el piloto dejará de centellear y se transformará en una luz fija. El encendido del piloto correspondiente al lavado indica el comienzo del programa.
8. Al final del programa se ilumina el piloto FIN (luz fija). Apague el aparato presionando el botón ON-OFF, cierre el grifo de agua y desenchufe el aparato.
9. Espere algunos minutos antes de quitar la vajilla para evitar quemarse. Descargue los cestos comenzando por el inferior.


 - Para reducir el consumo de energía eléctrica, si el aparato no se está utilizando, se apaga automáticamente.


Modificar un programa en curso

Si no se ha seleccionado el programa deseado, es posible cambiarlo, siempre que esté recién empezado: una vez comenzado el lavado, para cambiar el ciclo de lavado, apagar la máquina pulsando ON/OFF/Reset; volver a encenderla y seleccionar nuevamente el programa y las opciones deseadas.

Agregar vajilla

Presione el botón Puesta en funcionamiento/Pausa, abra la puerta teniendo cuidado con el escape de vapor e introduzca la vajilla. Pulsar la tecla Inicio/Pausa: el ciclo se reanuda después de una señal acústica prolongada.

 Si se ha programado el arranque diferido, llegado el momento del inicio, el ciclo de lavado no comienza sino que permanece en Pausa.

 Al pulsar la tecla Puesta en funcionamiento/Pausa para poner la máquina en pausa, el programa se interrumpe. En esta fase no se puede cambiar el programa.

Interrupciones accidentales

Si durante el lavado se abre la puerta o se produce una interrupción de corriente, el programa se interrumpe. Cuando se cierra la puerta o vuelve la corriente, el programa se reanuda a partir del punto en el que se había interrumpido.

Cargar el detergente

Los buenos resultados del lavado dependen de la correcta dosificación del detergente; en caso de exceso, no se lava más eficazmente y se contamina el medio ambiente.

Según el grado de suciedad, la dosis se puede adaptar en cada caso con un detergente en polvo o líquido.

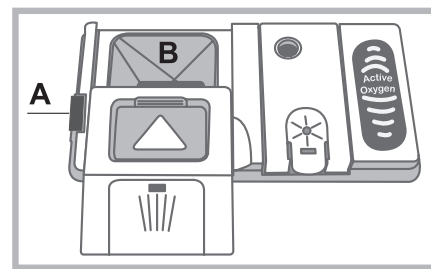
En general, para la suciedad normal hay que utilizar unos 35 g (detergente en polvo) o 35 ml (detergente líquido). Si se emplean pastillas, es suficiente una.

Si la vajilla está poco sucia o ha sido aclarada anteriormente bajo el agua, reducir la dosis de detergente.

Para asegurarse un buen lavado, seguir las instrucciones del envase del detergente.

En caso de dudas, dirigirse al servicio de asesoramiento del fabricante del detergente.

Para abrir el depósito de detergente, accionar el dispositivo de apertura "A".



Introducir el detergente sólo en la cubeta "B" seca. El detergente para el prelavado se debe poner directamente en la cubeta.

1. Dosificar el detergente consultando la Tabla de los programas para introducir la cantidad correcta. En la cubeta B hay una marca que indica la cantidad máxima de detergente líquido o en polvo que se puede introducir para cada ciclo.

2. Eliminar los residuos de detergente de los bordes de la cubeta y cerrar la tapa hasta el enganche.

3. Cerrar la tapa del depósito de detergente empujando hacia arriba hasta que el dispositivo de cierre quede enganchado. El depósito de detergente se abre automáticamente en el momento oportuno según el programa.

Si se utilizan detergentes combinados, se recomienda la opción TABS, que adecua el programa para lograr el mejor resultado de lavado y secado posible.

 Utilizar sólo detergente para lavavajillas.

NO UTILIZAR detergentes para lavado a mano.

Un uso excesivo de detergente puede dejar residuos de espuma al finalizar el ciclo.

El uso de las pastillas se aconseja sólo en los modelos que poseen la opción PASTILLAS MULTIFUNCIÓN.

Las mejores prestaciones de lavado y secado se obtienen con el uso de detergente en polvo, abrillantador líquido y sal.

* Presente sólo en algunos modelos.






Programas

ES

Los datos de los programas se obtienen en condiciones de laboratorio según la Norma Europea EN 50242.

La duración y los datos de los programas pueden variar según las distintas condiciones de uso.

 **El número y el tipo de programas y opciones varían según el modelo de lavavajillas.**

Programa	Secado	Opciones	Duración del programa	Consumo de agua (l/ciclo)	Consumo de energía (kWh/ciclo)
1. Eco	Sí	Inicio diferido - Media carga	03:10'	11,0	1,04
2. Intensivo 	Sí	Inicio diferido - Media carga	02:30'	16,5	1,70
3. Normal 	Sí	Inicio diferido - Media carga	02:00'	16,0	1,35
4. Delicado 	Sí	Inicio diferido - Media carga	01:30'	12,0	1,10
5. Rápido 40' 	No	Inicio diferido	00:40'	9,0	0,95
6. Remojo 	No	Inicio diferido - Media carga	00:10'	4,0	0,01

Indicaciones para la selección de programas y dosis de detergente

1. El ciclo de lavado ECO es el programa estándar al que se refieren los datos de la etiqueta energética; este ciclo es adecuado para lavar vajillas con suciedad normal y es el programa más eficiente en términos de consumo de energía y agua para este tipo de vajilla. 27 gr/ml + 6 gr/ml** – 1 Tab (**Cantidad de detergente del prelavado)

2. Vajilla y ollas muy sucias (no usar para vajilla delicada). 30 g/ml – 1 Tab

3. Vajilla y ollas con suciedad normal. 27 gr/ml + 6 gr/ml** – 1 Tab

4. Ciclo para vajilla delicada, más sensible a las altas temperaturas. 30 g/ml – 1 Tab

5. Ciclo veloz para utilizar con vajilla poco sucia. (ideal para 2 cubiertos) 25 gr/ml – 1 Tab

6. Lavado preliminar a la espera de completar la carga después de otra comida. Sin detergente

Consumos en modo stand-by: Consumo en modo left-on: 5 W - consumo en modo off: 0,5 W

Notas:

Las mejores prestaciones de los programas "Rápido" se obtienen preferiblemente respetando la cantidad de cubiertos especificados.

Para consumir menos use el lavavajillas a plena carga.

Nota para los laboratorios de pruebas: para obtener información detallada sobre las condiciones de la prueba comparativa EN, escribir a la siguiente dirección: asistencia_en_lvs@indesitcompany.com

Opciones de lavado*

Las OPCIONES pueden ser elegidas, modificadas o anuladas sólo después de haber elegido el programa de lavado y antes de haber presionado el botón Puesta en funcionamiento/Pausa.

Pueden seleccionarse sólo las opciones compatibles con el tipo de programa elegido. Si una opción no es compatible con el programa seleccionado, (*ver la tabla de programas*) el símbolo/led correspondiente centelleará velozmente 3 veces.

Si se selecciona una opción incompatible con otra ya elegida, ésta parpadea 3 veces y se apaga, mientras que permanece encendida la última selección realizada.

Para deseleccionar una opción erróneamente elegida, pulsar de nuevo la tecla correspondiente.



Media carga

Si la vajilla que debe lavar es poca, se puede utilizar la media carga que permite ahorrar agua, energía y detergente. Seleccionar el programa y pulsar la tecla MEDIA CARGA; el testigo se enciende.

Para deseleccionar la opción, presione nuevamente el botón MEDIA CARGA.

Recordar reducir a la mitad la cantidad de detergente.



Inicio retrasado

Es posible postergar **3, 6 o 9** horas el comienzo del programa:

1: Después de seleccionar el programa de lavado y demás opciones, pulsar INICIO DIFERIDO:

2: Seleccionar el inicio diferido pulsando la tecla correspondiente; los testigos de lavado (3 horas), secado (6 horas) y fin (9 horas) se encienden sucesivamente.

Si se presiona nuevamente el botón de Inicio Retrasado, se deseleccionará la opción y el piloto se apagará.

3. Una vez realizada la selección, al pulsar Puesta en funcionamiento/Pausa, comienza la cuenta regresiva y el testigo del inicio seleccionado parpadea; la tecla Puesta en funcionamiento/Pausa deja de parpadear (luz fija).

3. Una vez cumplido el tiempo, el piloto del INICIO RETRASADO se apagará y comenzará el programa.

No es posible seleccionar el Inicio Diferido después de que el ciclo ha comenzado.

* Presente sólo en algunos modelos.

Abrillantador y sal regeneradora

ES

⚠ Utilizar sólo productos específicos para lavavajillas. No utilizar sal de cocina o industrial ni detergentes para lavar a mano. Seguir las indicaciones del envase.

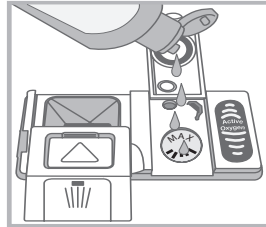
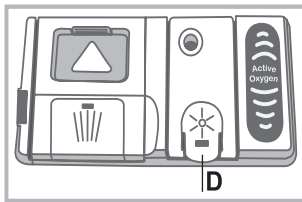
⚠ Si se utiliza un producto multifunción, no es necesario agregar abrillantador, pero se aconseja añadir sal, especialmente si el agua es dura o muy dura. (Seguir las indicaciones del envase.)

⚠ Si no se agrega ni sal ni abrillantador, es normal que los testigos FALTA SAL* y FALTA ABRILLANTADOR* permanezcan encendidos.

Cargar el abrillantador

El abrillantador facilita el secado de la vajilla haciendo deslizar el agua por la superficie para que no se produzcan estrías o manchas. El depósito del abrillantador se debe llenar:

- cuando en el panel se enciende el testigo FALTA ABRILLANTADOR* aún hay abrillantador para 1-2 ciclos;



1. Abrir el depósito "D" pulsando y levantando la lengüeta de la tapa;
2. Introducir el abrillantador con precaución hasta alcanzar la marca del nivel máximo, sin que desborde. Si esto sucede, limpiar rápidamente con un paño seco.
3. Cerrar la tapa hasta el encastre.

No verter NUNCA el abrillantador directamente en el interior de la cuba.

Regular la dosis de abrillantador

Si no está satisfecho con el resultado del secado, puede regular la dosis de abrillantador. Encender y apagar el lavavajillas pulsando la tecla **ON/OFF**. Presione 3 veces el botón Puesta en funcionamiento/Pausa; encienda la máquina con el botón **ON/OFF**, se entra en el menú de regulación y se enciende el piloto del abrillantador. (configurado en el nivel de fábrica)

Regule el nivel de suministro de abrillantador con el mando **SELECCIÓN DE PROGRAMA**; a cada programa le corresponde un nivel de abrillantador diferente (de 0 a 4 Máx.).

Presione el botón ON/OFF para guardar la regulación elegida.

El nivel de abrillantador se puede fijar en ZERO (ECO), en ese caso no se suministrará el abrillantador y, cuando el mismo se acabe, no se encenderá el piloto de falta de abrillantador.

- si en la vajilla se producen estrías blancas, seleccione números bajos (1-2).
- si hay gotas de agua o manchas de caliza, seleccione números altos (3-4).

Selección de la dureza del agua

Cada lavavajillas está dotado de un ablandador de agua que, utilizando sal regeneradora específica para lavavajillas, suministra agua sin cal para lavar la vajilla.

Este lavavajillas admite una regulación para reducir la contaminación y optimizar las prestaciones del lavado en función de la dureza del agua. El grado de dureza del agua se puede

averiguar en la empresa de suministro de agua potable.

- Encienda el lavavajillas con el botón **ON/OFF**, espere algunos segundos y apague el lavavajillas con el botón **ON/OFF**. Pulsar la tecla Puesta en funcionamiento/Pausa al menos 3 segundos; encender la máquina con **ON/OFF**; de esta manera se entra en el menú de regulación y se enciende el testigo de la sal.

- Utilizando el mando **SELECCIÓN DE PROGRAMA**, seleccione el nivel deseado (de 1 a 5* Máx.)

(El descalcificador está configurado en el nivel medio).

Presione el botón ON/OFF para guardar la regulación elegida.

Aunque se utilicen las pastillas multifunción, llene el depósito de sal.

Tabla de Durezas del Agua				Autonomía media** del depósito de sal
nivel	°dH	°fH	mmol/l	meses
1	0 - 6	0 - 10	0 - 1	7 meses
2	6 - 11	11 - 20	1,1 - 2	5 meses
3	12 - 17	21 - 30	2,1 - 3	3 meses
4	17 - 34	31 - 60	3,1 - 6	2 meses
5*	34 - 50	61 - 90	6,1 - 9	2/3 semanas

De 0°f a 10°f se aconseja no utilizar sal.
* ajustando el valor en 5, la duración puede prolongarse.
** con 1 ciclo de lavado por día

(°dH = dureza en grados alemanes - °fH = dureza en grados franceses - mmol/l = milimol/litro)

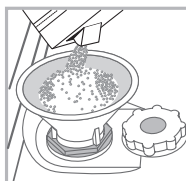
Cargar la sal regeneradora

Para obtener buenos resultados en el lavado, es indispensable comprobar que el depósito de sal nunca esté vacío.

La sal regeneradora elimina la cal del agua evitando que se deposite sobre la vajilla.

El depósito de sal está ubicado en la parte inferior del lavavajillas (ver Descripción) y se debe llenar:

- cuando el flotador verde* no se ve al observar el tapón de la sal;
 - cuando en el panel se enciende el testigo FALTA SAL*;
1. Extraer el cesto inferior y desenroscar el tapón del depósito en sentido antihorario.



2. Sólo para el primer uso: llenar el depósito de agua hasta el borde.

3. Poner el embudo* (ver la figura) y llenar el depósito de sal hasta el borde (aprox. 1 kg); es normal que desborde un poco de agua.

4. Sacar el embudo*, eliminar los residuos de sal de la boca de entrada; enjuagar el tapón bajo el agua corriente antes de enroscarlo, poniéndolo cabeza abajo y haciendo fluir el agua por las cuatro ranuras dispuestas en forma de estrella en la parte inferior del tapón. (tapón con flotador verde*)

Es aconsejable realizar esta operación cada vez que se carga la sal.

Cerrar bien con el tapón para evitar que en el depósito entre detergente durante el lavado (podría dañarse irremediablemente el ablandador).

⚠ Cuando sea necesario, cargar sal antes de un ciclo de lavado para eliminar la solución salina desbordada del depósito de sal.

* Presente sólo en algunos modelos.

Interrumpir el agua y la corriente eléctrica

- Cerrar el grifo de agua después de cada lavado para prevenir el riesgo de pérdidas.
- Desconectar la clavija de la toma de corriente para la limpieza y los trabajos de mantenimiento.

Limpiar el lavavajillas

- La superficie externa y el panel de control se pueden limpiar con un paño no abrasivo humedecido con agua. No utilizar disolventes ni productos abrasivos.
- Las manchas de la cuba interna se pueden eliminar con un paño embebido en agua y un poco de vinagre.

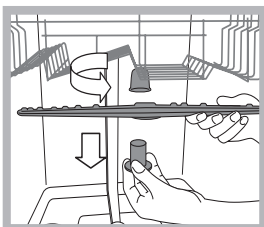
Evitar los malos olores

- Deje siempre entreabierta la puerta para evitar el estancamiento de humedad.
- Limpiar regularmente las juntas perimétricas de la puerta y de las cubetas de detergente con una esponja húmeda. De este modo se evitarán estancamientos de comida que son los principales responsables del mal olor.

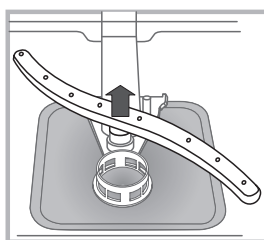
Limpiar los rociadores

Puede suceder que algunos residuos de comida se adhieran a los brazos rociadores y obstruyan los orificios por los que debe salir el agua: cada tanto es importante controlarlos y limpiarlos con un cepillo no metálico.

Ambos rociadores son desmontables.



Para desmontar el rociador superior, es necesario desenroscar en sentido antihorario la virola de plástico. El rociador superior se vuelve a montar con la parte que tiene el mayor número de orificios dirigida hacia arriba.



El rociador inferior se desmonta haciendo presión sobre las lengüetas ubicadas a los costados y tirándolo hacia arriba.

Limpeza del filtro de entrada de agua*

Si los tubos de agua son nuevos o están inactivos desde hace mucho tiempo, antes de realizar la conexión, dejar correr el agua para verificar que sea límpida y que no contenga impurezas. Sin esta precaución, existe el riesgo de que el lugar por donde entra el agua se atasque y el lavavajillas se dañe.


 Periódicamente limpiar el filtro de entrada de agua colocado a la salida del grifo.

- Cerrar el grifo del agua.
- Desenroscar el extremo del tubo de carga de agua, quitar el filtro y limpiarlo delicadamente bajo un chorro de agua corriente.
- Introducir nuevamente el filtro y enroscar el tubo.

Limpiar los filtros

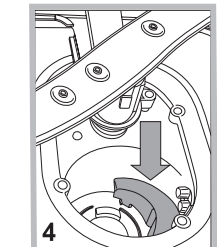
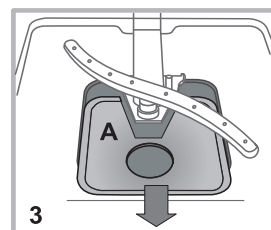
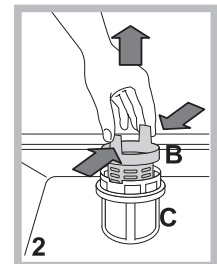
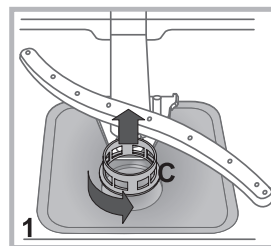
El grupo filtrante está formado por tres filtros que eliminan del agua de lavado los residuos de alimentos y la vuelven a poner en circulación: para obtener buenos resultados en el lavado, es necesario limpiarlos.

 Limpie los filtros regularmente.

 El lavavajillas no se debe utilizar sin filtros o con el filtro desenganchado.

• Después de algunos lavados, controlar el grupo filtrante y si es necesario limpiarlo con cuidado bajo el agua corriente y con la ayuda de un cepillo no metálico, respetando las siguientes instrucciones:

1. Girar en sentido antihorario el filtro cilíndrico **C** y extraerlo (*fig. 1*).
2. Extraer el cartucho del filtro **B** ejerciendo una leve presión sobre las aletas laterales (*fig. 2*);
3. Extraer el plato del filtro de acero inoxidable **A**. (*fig. 3*).
4. Inspeccionar el sumidero y eliminar los residuos de comida. **NO QUITAR NUNCA** la protección de la bomba de lavado (*detalle de color negro*) (*fig. 4*).



Después de la limpieza de los filtros, volver a montar el grupo filtrante y a colocarlo correctamente en su lugar. Esto es fundamental para el buen funcionamiento del lavavajillas.

Si se ausenta durante largos períodos

- Desconectar las conexiones eléctricas y cerrar el grifo del agua.
- Dejar la puerta entreabierta.
- Al regresar, hacer un lavado con el lavavajillas vacío.

* Presente sólo en algunos modelos.

Anomalías y soluciones

ES

Si el aparato presenta anomalías de funcionamiento, controlar los siguientes puntos antes de llamar al Servicio de Asistencia Técnica.

Anomalías:	Posibles causas / Solución:
El lavavajillas no arranca o no responde a los mandos	<ul style="list-style-type: none">• Apagar la máquina con la tecla ON/OFF, volver a encenderla después de un minuto aproximadamente y elegir el programa.• El enchufe no está bien introducido en la toma de corriente.• La puerta del lavavajillas no está bien cerrada.
La puerta no se cierra	<ul style="list-style-type: none">• Se disparó la cerradura; empuje enérgicamente la puerta hasta escuchar el característico sonido (clack).
El lavavajillas no descarga agua.	<ul style="list-style-type: none">• El programa no ha terminado aún.• El tubo de descarga de agua está plegado (ver Instalación).• La descarga del lavamanos está obstruida.• El filtro está obstruido con residuos de comida.
El lavavajillas hace ruido.	<ul style="list-style-type: none">• Los elementos de la vajilla se golpean entre sí o contra los rociadores.• Demasiada espuma: el detergente no está dosificado adecuadamente o no es adecuado para lavar en lavavajillas. (ver Puesta en funcionamiento y uso).
En la vajilla y en los vasos quedan depósitos calcáreos o una pátina blanquecina.	<ul style="list-style-type: none">• Falta sal regeneradora o su regulación no es la adecuada para la dureza del agua (ver Abrillantador y sal).• El tapón del depósito de sal no está bien cerrado.• El abrillantador se ha terminado o la dosificación es insuficiente.
En la vajilla y en los vasos quedan estrías o matices azulados.	<ul style="list-style-type: none">• La dosis de abrillantador es excesiva.
La vajilla no queda bien seca.	<ul style="list-style-type: none">• Se ha seleccionado un programa sin secado.• El abrillantador se ha terminado o la dosis es insuficiente (ver Abrillantador y sal).• La regulación del abrillantador no es la adecuada.• La vajilla es de material antiadherente o de plástico.
La vajilla no queda limpia.	<ul style="list-style-type: none">• Los cestos están demasiado cargados (ver Cargar los cestos).• La vajilla no está bien distribuida.• Los rociadores no giran libremente.• El programa de lavado no es suficientemente enérgico (ver Programas).• Demasiada espuma: el detergente no está dosificado adecuadamente o no es adecuado para lavar en lavavajillas. (ver Puesta en funcionamiento y uso).• El tapón del abrillantador no se ha cerrado correctamente.• El filtro está sucio u obstruido (ver Mantenimiento y cuidados).• Falta sal regeneradora (ver Abrillantador y sal).
El lavavajillas no carga agua - Alarma por grifo cerrado. (centellean rápidamente los pilotos Secado y Fin).	<ul style="list-style-type: none">• Falta agua en la red hídrica.• El tubo de carga de agua está plegado (ver Instalación).• Abra el grifo y el aparato comenzará a funcionar en pocos minutos.• El aparato se ha bloqueado porque no se produjo ninguna intervención después de la señal sonora*. (*Presente sólo en algunos modelos) Apague la máquina con el botón ON/OFF, abra el grifo y después de 20 segundos vuelva a encenderla utilizando el mismo botón. Vuelva a programar la máquina y póngala en funcionamiento.

* Presente sólo en algunos modelos.

TR

Türkçe, 29

DFG 26B10

İçindekiler

Ürün bilgilerine, 30

Önlemler ve tavsiyeler, 31

Genel güvenlik
İmha Etme
Enerji tasarrufu ve Çevreye saygı

Kurulum, destek ve Yardım, 32-33

Konumlandırma ve düzleştirme
Su ve elektrik bağlantılarının yapılması
İlk yıkama programı hakkında öneri
Teknik bilgiler
Yardım

Cihazın tanımı, 34

Genel Bakış
Kontrol Paneli

Rafların yüklenmesi, 35-36

Alt raf
Çatal-bıçak sepeti
Üst raf
Üst rafın yüksekliğinin ayarlanması
Uygun olmayan sofra takımları

Çalıştırma ve kullanım, 37

Bulaşık makinesinin çalıştırılması
Deterjanın ölçülmesi

Yıkama programları, 38

Yıkama programları tablosu

Özel yıkama programları ve Seçenekler, 39

Parlatıcı ve rafine tuz, 40

Durulama maddesinin ölçülmesi
İşlenmiş tuzun ölçülmesi

Temizlik ve bakım, 41

Su ve elektrik bağlantısının kapatılması
Bulaşık makinesinin temizlenmesi
İstenmeyen kokuların önlenmesi
Püskürtücü kollarının temizlenmesi
Su Giriş Filtresinin Temizlenmesi
Filtrelerin temizlenmesi
Makinenin uzun süre kullanılmaması

Sorun giderme, 42

Ürün bilgilerine

TR

ürün bilgilerine	
Marka	INDESIT
Model	DFG 26B10
Standart yer yerleşimlerinde nominal kapasite (1)	13
A+++ (düşük tüketim)"dan D (yüksek tüketim)"e Enerji verimlilik sınıfı	A+
kWh cinsinden yıllık enerji tüketimi (2)	295.0
kWh cinsinden standart temizleme programının enerji tüketimi	1.04
W"de off-modun güç tüketimi	0.5
W"de left-on modun güç tüketimi	5.0
Litre olarak yıllık su tüketimi (3)	3080.0
A (yüksek verim)"dan G (düşük verim)"e kurutma verimlilik sınıfı	A
Dakika cinsinden standart temizleme programı için program süresi	190
Left-on modun dakika cinsinden süresi	10
Yıkamada dB(A) re 1 pW cinsinden gürültü	51
Ankastre Model	Hayır
Notlar	
1) Etiket ve fiş üzerinde yer alan bilgi, standart yıkama programı ile ilişkilidir, bu programın normal olarak kirlenmiş sofa takımlarını yıkamak için uygundur ve kombine enerji ve su tüketimi açısından en etkili programlardır. Standart yıkama programı, Eco program"dır.	
2) Soğuk su kullanılan 280 adet standart yıkama programına ve ve düşük güç modlarının tüketimine dayanmaktadır. Gerçek enerji tüketimi cihazın nasıl kullanıldığına göre değişecektir.	
3) 280 adet standart yıkama programına dayanmaktadır. Gerçek su tüketimi, cihazın nasıl kullanıldığına bağlıdır.	

⚠ Bu cihaz, uluslararası güvenlik standartlarına uygun olarak tasarlanıp üretilmiştir. Aşağıdaki bilgiler güvenlik amacıyla verilmiştir ve bu nedenle dikkatle okunmalıdır.

Bu kullanım kılavuzunu, gelecekte referans olarak kullanmak üzere saklayın. Cihazı satarsanız, birine hediye ederseniz veya başka bir yere taşırsanız, kullanım kılavuzunu da vermeyi/götürmeyi ihmal etmeyin.

Lütfen bu talimatları dikkatle okuyun: talimatlar, kurulum, kullanım ve güvenlik hakkında önemli bilgiler içermektedir.

Bu cihaz, evde kullanmanın yanı sıra benzeri uygulamalarda da kullanılmak üzere tasarlanmıştır; örneğin:

- mağazalar, ofisler ve diğer çalışma ortamlarındaki personel mutfak alanları;
- çiftlik evleri;
- oteller, moteller ve diğer yerleşim türü ortamlarında müşteriler tarafından;
- oda-kahvaltı sistemiyle hizmet veren turistik tesisler.

Genel güvenlik

- Bu cihaz, güvenliklerinden sorumlu bir kişi tarafından cihazın kullanımıyla ilgili talimatlar kendilerine öğretilmeden veya bu kişinin gözetimi altında olmadan fiziksel, ruhsal veya akli durumları yeterli olmayan kişiler (çocuklar dahil) ya da gerekli bilgi ve tecrübeye sahip olmayan kişiler tarafından kullanılmalıdır.
- Yetişkinler, cihazla oynamadıklarından emin olmak için çocukları her zaman gözetim altında tutmalıdır.
- Cihaz ev içi kullanım için tasarlanmıştır ve ticari veya endüstriyel kullanım amaçlanmamıştır.
- Ev bulaşıklarının bu kullanım kılavuzunda belirtilen şekilde yıkanması için makine sadece yetişkinler tarafından kullanılmalıdır.
- Aygıt, üzeri kapatılarak olsa bile açık alanlara kurulmamalıdır. Makinenin yağmur ve fırtınaya maruz bırakılması son derece tehlikelidir.
- Ayaklarınız çıplakken cihaza dokunmayın.
- Cihazı fişten çekerken, daima fişi duvardaki elektrik prizinden çekin, kablodan çekmeyin. Kablosunu çekmeyin.
- Cihaz temizlenmeden veya bakım yapılmadan önce su besleme musluğu kapatılmalı ve cihazın fişi mutlaka prizden çıkarılmalıdır.
- Makine arızalanırsa, hiçbir koşulda makineyi kendiniz tamir etmeye çalışmayın ve makinenin iç kısımlarına dokunmayın.
- Cihaza yaslanmayın, üzerine oturmayın: cihaz devrilebilir.
- Kapak, tehlikeli bir engel yaratabileceği için açık bırakılmamalıdır.
- Deterjan ve parlaticıyı çocukların erişemeyeceği bir yerde muhafaza edin.
- Ambalaj malzemeleri çocuklar tarafından oyuncak gibi kullanılmalıdır.

Elden Çıkarma

- Ambalaj malzemesinin elden çıkarılması: paketlerin/ambalaj malzemelerinin yeniden

kullanılabilir olup olmadığına dair yerel yasaları inceleyin.

- Atık Elektrikli ve Elektronik Ekipmanların (AEEE) elden çıkarılması hakkında Avrupa Birliği Direktifi 2012/19/EU, elektrikli ev aletlerinin normal evsel atıklar gibi elden çıkarılmaması gerektiğini belirtmektedir. Hizmet ömrünü tamamlayan cihazlar, makinenin içindeki malzemelerin yeniden kullanılma ve geri dönüştürülme maliyetlerinin optimize edilmesini sağlamak ve doğaya ya da halk sağlığına zararlı etkileri önlemek amacıyla ayrı bir şekilde toplanmalıdır. Üzeri çarpı işaretli çöp kovası simgesi, bu atıkların ayrı bir şekilde toplanması gerektiği konusunda o ürünün kullanıcılarını uyarmak amacıyla tüm ürünlere konmaktadır. Konutlarda kullanılan elektrikli cihazların doğru bir şekilde elden çıkarılması konusunda ayrıntılı bilgi edinmek için ilgili kamu kuruluşuna ya da yerel bayinize başvurabilirsiniz.

Enerji tasarrufu ve Çevreye saygı

Su ve enerji tasarrufu

- Sadece bulaşık makinesi dolu olduğu zaman yıkama devrini başlatın. Bulaşık makinesinin dolmasını beklerken, sudan geçirme devrini kullanarak istenmeyen kokuların oluşmasını önleyin (*Yıkama Devirleri'ne* bakın).
- Yıkama devirleri tablosunu kullanarak bulaşıkların kirlilik seviyesine ve bulaşık tipine uygun olan yıkama devrini seçin:
 - normal bulaşık seviyesindeki tabaklar için, düşük enerji ve su tüketimi seviyelerini temin eden Ekonomik yıkama devrini kullanın.
 - Bulaşıklar normalden daha azsa, Yarım Bulaşık seçeneğini etkinleştirin* (*bkz. Çalıştırma ve Kullanım*).
- Elektrik tedarikçiniz indirimli elektrik tarifeleri hakkında bilgi vermişse, yıkama devirlerini elektrik fiyatlarının düşük olduğu zamanlarda gerçekleştirin. Gecikmeli Çalıştırma düğmesi* (*bkz. Çalıştırma ve Kullanım*) yıkama devirlerinizi buna göre düzenlemenize yardımcı olur.

Enzim içeren fosfatsız ve klorsuz deterjanlar

- Bu ürünler çevreye zararlı olduğu için fosfat veya klor içeren deterjanları kullanmamanızı kesinlikle tavsiye ederiz.
- Enzimler 50°C civarındaki sıcaklıklarda özel bir etki sağlar ve bunun sonucunda enzim içeren deterjanlar normal 65°C'lik yıkama devriyle aynı sonucu elde etmek için düşük sıcaklıktaki yıkama devirlerinde kullanılabilirler.
- Deterjanın boşa kullanılmasını önlemek için, ürünü üretici önerilerine dayanan miktar, su sertliği, bulaşık seviyesi ve çanak çömlek miktarında kullanın. Toprakta çözünebilir olsalar bile, deterjanlar doğanın dengesinde değişiklik yapabilecek maddeler içerir.

* Yalnızca belirli modellerde bulunmaktadır.

Kurulum - Yardım

TR

⚠ Taşıma halinde cihazı dik tutunuz ya da gerekli olduğu takdirde arka tarafa doğru yatırınız.

Yerleştirme ve seviye ayarlama

1. Cihazın ambalajını çıkartınız ve cihazda nakliyat sırasında hasar meydana gelip gelmediğini kontrol ediniz. Hasarlı ise, cihazı bağlamadan hemen Teknik Servise başvurunuz.

2. Bulaşık makinesini, makinenin arka tarafı yada yanları duvara yada yanındaki mobilyalara dayanacak şekilde yerleştiriniz. Cihaz, mutfak tezgahının altına ankastr edilebilir* (*Montaj bölümüne bakınız*).

3. Bulaşık makinesini düz ve sert bir zemine yerleştiriniz. Cihaz yatay oluncaya kadar, ön ayakları sökerek veya vidalayarak eğrilikleri dengeleyiniz. Cihazın seviyesinin dikkatlice ayarlanması makinenin titreşmesini, ses çıkarmasını ve yerinden oynamasını engeller.

4*. Arka ayağın yüksekliğini ayarlamak için, bulaşık makinesinin alt, ön, orta kısmında mevcut olan kırmızı renkteki altıgen kılavuz üzerinde işlem yapınız. 8 mm'lik açıklığa sahip altıgen ağızlı bir anahtar ile, yüksekliği arttırmak için saat yönünde çeviriniz ve yüksekliği azaltmak için ise saat yönünün tersinde çeviriniz. (*belgelere ek ankastr talimatları bölümüne bakınız*)

Elektrik ve su bağlantıları

⚠ Bu cihazın montajı sırasındaki elektrik ve su tesisatlarının sadece vasıflı personel tarafından yapılması gerekir.

⚠ Bulaşık makinesi, elektrik kabloları veya boruları üzerine yaslanmamalıdır.

⚠ Cihaz, su dağıtma şebekesine yeni borular kullanılarak bağlanmalıdır. Eski boruları yeniden kullanmayınız.

Montajı kolaylaştırmak için, su doldurma ve boşaltma hortumları ve elektrik besleme kablosu sağa veya sola döndürülebilir.

Su besleme hortumunun bağlantısı

- Soğuk su girişine: doldurma hortumunu 3/4 inç yivli musluğa iyice vidalayınız, hortumu musluğa vidalamadan önce suyun içindeki atıkların cihazı tıkamaması için suyu temiz oluncaya kadar akıtınız.
- Sıcak su girişine: merkezi ısıtma sistemi söz konusu ise; bulaşık makinesi sıcak suya bağlı olarak çalışabilir, ancak suyun sıcaklığı 60°C'yi geçmemelidir.

⚠ Hortumu, soğuk su girişine bağlanması bölümünde açıklandığı gibi musluğa vidalayınız.

⚠ Su doldurma hortumunun uzunluğu montaj için yeterli değil ise, konusunda uzman bir mağazaya ya da yetkili bir teknisyene başvurunuz (*bakınız Teknik Destek*).

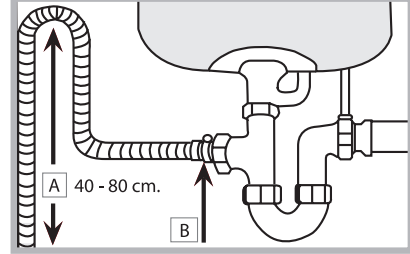
⚠ Suyun basıncı, Teknik veriler tablosunda aktarılan değerler dahilinde olmalıdır (*yan tarafa bakınız*).

Hortumun kıvrılmamasına, bükülmemesine veya sıkışmamasına dikkat ediniz.

Atık su boşaltma hortumunun bağlantısı

Atık su boşaltma hortumunu, kıvrımdan iç çapı en az 4 cm olan bir boşaltma kanalına bağlayınız

Boşaltma hortumu, zeminden veya bulaşık makinesinin destek zemininden (A) 40 ila 80 cm. arasında bir yükseklikte olmalıdır.



Atık su boşaltma hortumunu lavabonun akış borusuna bağlamadan önce, plastik tapayı (B) kaldırınız.

Su basmalarına karşı emniyet sistemi

Bulaşık makinesi, su basmasını önlemek için:

- herhangi bir arıza ya da içeriden su kaybı olması durumunda su girişini durdurma sistemine sahiptir.

Bazı modeller, besleme hortumunun kopması halinde de su basmalarını önleyen, **New Acqua Stop*** adı verilen ilave bir emniyet sistemine sahiptir.



DİKKAT: TEHLİKELİ GERİLİM!

Su doldurma hortumu, her ne olursa olsun asla kesilmemelidir: çünkü içerdiği bazı parçalar gerilim altındadır.

Elektrik bağlantısı

Cihazın fişini bir elektrik prizine takmadan önce, aşağıdakileri kontrol ediniz:

- priz in topraklı tesisata sahip ve yasal kurallara uygun olduğunu;
- elektrik prizinin kapağın karşısındaki özellikler plakasında belirtilen, makinenin maksimum güç yükünü taşıyabildiğini (*Cihazın tanımı bölümüne bakınız*);
- besleme geriliminin kapağın karşısındaki özellik plakasında belirtilen değerler dahilinde olduğunu;
- priz in cihazın fişi ile uyumlu olduğunu. Aksi takdirde cihazın fişinin değiştirilmesi için yetkili bir teknisyene (*Teknik Destek bölümüne bakınız*) başvurunuz, uzatma kablosu ya da çoklu priz kullanmayınız.

⚠ Cihaz monte edildikten sonra, besleme kablosuna ve elektrik prizine kolayca ulaşılabilir.

⚠ Kablonun ezilmemesi ve katlanmaması gerekir.

⚠ Besleme kablosu zarar görmüş ise, herhangi bir riski önlemek için derhal Teknik Destek Servisi veya üretici firma tarafından yenisi ile değiştirilmelidir. (*Bakınız Teknik Destek*)

* Yalnızca belirli modellerde bulunmaktadır.

Yoğunlaşma önleyici şerit*


Bulaşık makinesini kurduktan sonra kapağı açın ve bulaşık makinenizi yoğunlaşma nedeniyle oluşan muhtemel sorunlardan korumak için yapışkanlı bandı ahşap rafın altına yapıştırın.



İlk yıkama programı hakkında öneri

Kurulumdan sonra stoperleri raflardan çıkarın ve varsa üst raftaki elastik sabitleme elemanlarını da sökün.

Cihazın kurulumu tamamlandıktan sonra ve ilk yıkama programını başlatmadan hemen önce tuz dağıtıcısını tamamiyle su ile doldurun ve ancak bundan sonra yaklaşık 1 kg kadar tuz ekleyin (*Durulama maddesi ve işlenmiş tuz başlıklı bölümü inceleyin*). Su taşabilir: bu normal bir durumdur, endişe etmeyin. Su sertliği değerini seçin (*Durulama maddesi ve işlenmiş tuz başlıklı bölümü inceleyin*).

- Tuz, makinenin içine döküldükten sonra, YETERŞİZ TUZ (LOW SALT) göstergesi* sönecektir.

 Tuz kabı dolu değilse, su yumuşatıcı ve ısıtma elemanı bunun sonucunda hasar görebilir.

Teknik bilgiler	
Boyutlar	genişlik 60 cm yükseklik 85 cm derinlik 60 cm
Kapasite	13 standart yer ayarı
Su şebeke basıncı	0.05 ÷ 1MPa (0.5 ÷ 10 bar) 7,25 – 145 psi
Güç kaynağı voltajı	Bilgi levhasına bakınız
Toplam absorbe edilen güç	Bilgi levhasına bakınız
Sigorta	Bilgi levhasına bakınız
	Bu bulaşık makinesi aşağıdaki Avrupa Birliği Yönergelerine uygundur: -2006/95/EC (düşük voltaj) -2004/108/EC (elektromanyetik uyumluluk) -2009/125/EC (AB Direktifi 1016/2010) (Ecodesign) -97/17/EC (Etiketleme) -2012/19/AB Atık Elektrikli ve Elektronik Donanım (WEEE)
	

Makine, kumandanın gerçekleştiğini bildiren sesli/tonlu sinyaller (*bulaşık makinesinin modeline göre*) ile donatılmıştır: açma, devre sonu, vb.

Kumanda paneli/ekran üzerinde mevcut olan ışıklı semboller/uyarı lambaları/ledler, renk, basış ya da sabit ışıklı olma değişikliği gösterebilir. (*bulaşık makinesinin modeline göre*).

Yardım

Desteğe başvurmadan önce

- Problemin Sorun Giderme rehberi kullanılarak çözümlenip çözülmeyeceğini kontrol edin (*bkz. Sorun Giderme*).
- Karşılaştığınız problemin devam edip etmediğini görmek için programı baştan başlatın.
- Sorun devam ediyorsa, Yetkili Teknik Servis ile temas kurun.

 **Yetkisiz teknisyenlerin verdiği hizmetleri kullanmayın.**

Lütfen aşağıda belirtilen bilgileri hazır edin:

- Arıza tipi.
- Cihaz Modeli (Mod).
- Seri Numarası (S/N).

Bu bilgiler, cihazın bilgi plakası üzerinde bulunur (*bkz. Cihazın tanımı*).

“Cihazın ömrü 10 yıldır”

Servis

İNDESİT COMPANY BEYAZ EŞYA PAZARLAMA A.Ş.

Karahasan Sok. No:11 Balmumcu 34349 Beşiktaş/İstanbul

TEL: (+90) 212 355 53 00

FAKS: (+90) 212 212 95 59

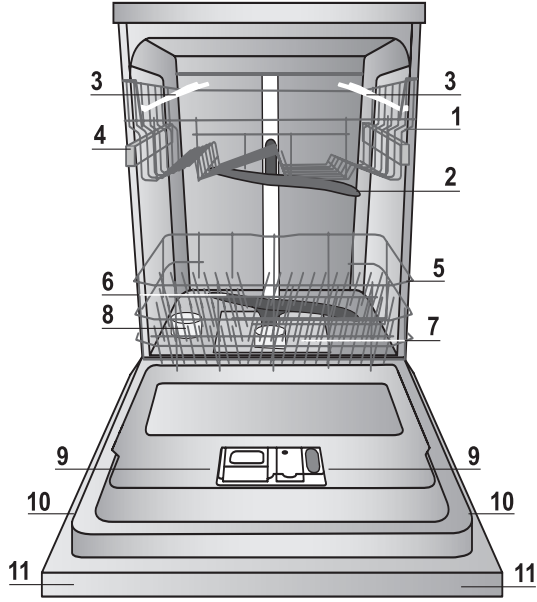
WEB: www.hotpoint-ariston.com.tr

* Yalnızca belirli modellerde bulunmaktadır.

Cihazın açıklaması

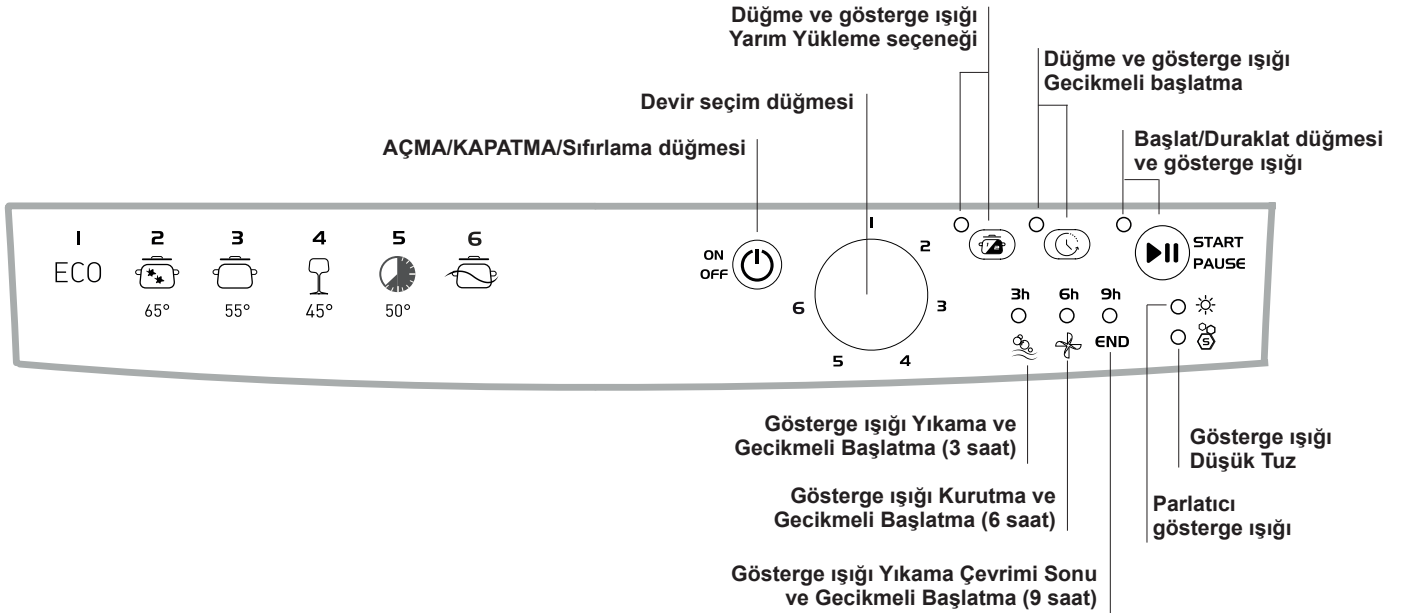
TR

Genel Bakış



1. Üst raf
2. Üst püskürtücü kolu
3. Açılır/kapanır dağıtıcılar
4. Raf yüksekliği ayarlayıcı
5. Alt raf
6. Alt püskürtücü kolu
7. Yıkama filtresi
8. Tuz dağıtım bölmesi
9. Deterjan dağıtıcı, durulama katkı maddesi dağıtıcı ve Active Oxygen cihazı*
10. Bilgi levhası
11. Kontrol paneli***

Kontrol Paneli



*** Yalnızca tamamen gömme olan modellerde.

* Yalnızca belirli modellerde bulunmaktadır.

Yıkama programı ve seçeneklerinin sayısı ve türü bulaşık makinesi modeline bağlı olarak farklılık gösterebilir.

İpuçları

Rafları yerleştirmeden önce, çanak çömleklerdeki tüm yiyecek kalıntılarını temizleyin ve bardak ve kaplardaki sıvıları boşaltın.

Akan su altında önleyici durulama gerekmez.

Tabakları devrilmeyecek ve sağlam bir şekilde yerleştirin; kapları ağız kısımları aşağı bakacak, içbükey/dışbükey parçaları ise yanlamasına yerleştirin; bu sayede suyun tüm yüzeylere kolayca ulaşması sağlanır.

Kapakların, kolların, tepsilerin ve kızartma tavalarının püskürtücü kolların dönüşünü engellemediğinden emin olun. Küçük cisimleri çatal-bıçak sepetine koyun.

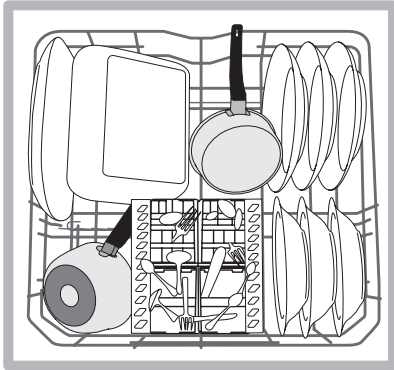
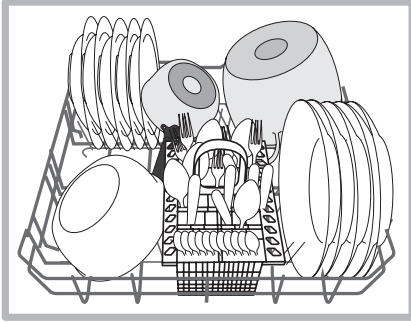
Plastik tabaklar ve teflon tavalar genellikle daha fazla su damlası tuttuğundan, bunların kurutulması porselen veya paslanmaz çelik tabakların kurutulması kadar kolay olmaz.

Plastik kaplar gibi hafif cisimleri üst rafa yerleştirin ve hareket etmeyecek biçimde sabitleyin.

Bulaşıkları cihaza yerleştirdikten sonra, püskürtücü kollarının serbestçe dönüp dönmediğini kontrol edin.

Alt raf

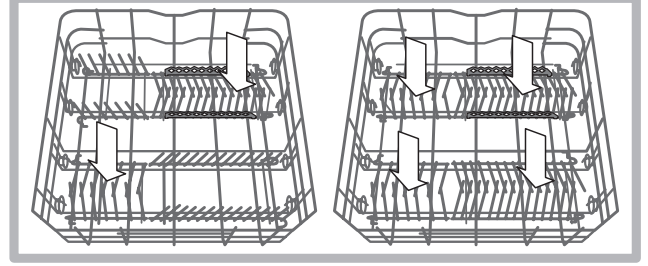
Tencereleri, kapakları, tabakları, salata kaselerini, çatal-bıçakları vs. alt rafa dizebilirsiniz. Büyük tabakları ve kapaklar ise yanlara dizilmelidir.



Çok kirli tencereler ve tabaklar alt rafa dizilmelidir, çünkü bu kısma daha kuvvetli su püskürtülür ve yıkama performansı daha yüksektir.

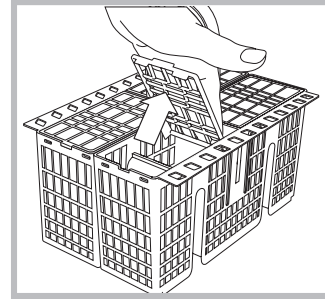
Pek çok bulaşık makinesi modeli çeşitli açılır-kapanır bölmeye sahiptir*.

Tencerelerin ve salata kaselerinin kolayca yerleştirilebilmesi için yanlamasına, tabakların düzgün yerleştirilmesi içinse dikey olarak kullanılabilir.



Çatal-bıçak sepeti

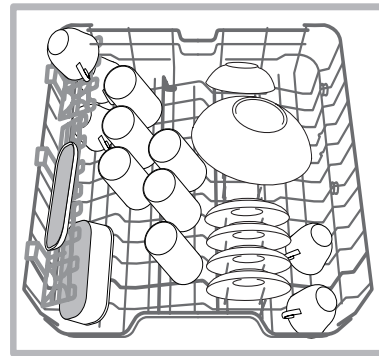
Modüler sepet, çatal-bıçak takımlarının daha iyi yerleştirilmesi için üst ızgaralara sahiptir. Çatal-bıçak sepeti **sadece** alt rafın ön kısmına konumlandırılmalıdır



⚠ Bıçaklar ve keskin kenarlı diğer bulaşıklar, çatak ve bıçak sepetinin içine keskin kısımları alta gelecek şekilde ya da üst rafta bulunan eğimli kısımlar üzerine yatay olarak yerleştirilmelidir.

Üst raf

Bu rafı, bardak, fincan, cezve ve sığ salata kasesi gibi hafif cisimlerle doldurun.



Pek çok bulaşık makinesi modeli çeşitli açılır-kapanır bölmeye sahiptir*.

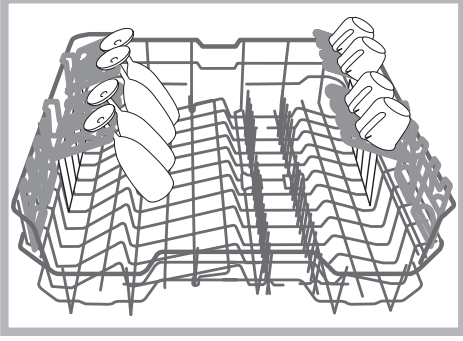
Bu bölümleri, çay cezvelerinin yerleştirilmesi sırasında dikey olarak, kaselerin veya yemek kaplarının yerleştirilmesinde ise aşağı konumda kullanabilirsiniz.

*Sadece farklı numara ve konumlara sahip bazı modellerde mevcuttur.

Ayarlanabilir konumlu açılır kapanır bölmeler

Çatal ve bıçakların raf içinde en etkin şekilde yerleştirilmesi için, yan kısımdaki açılır kapanır bölmeleri üç farklı yükseklikte ayarlayabilirsiniz.

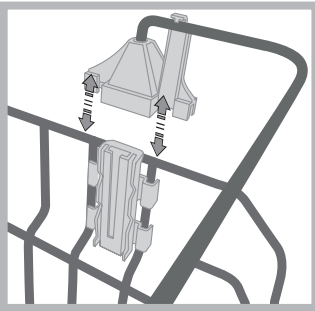
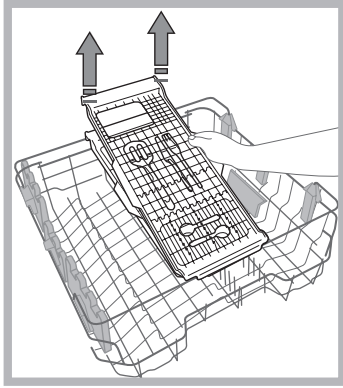
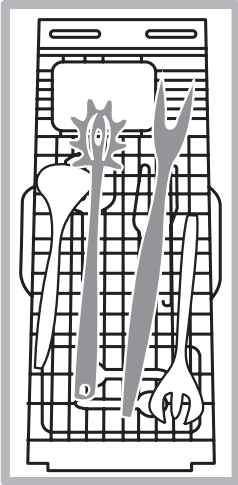
Şarap kadehlerini, sap kısımlarını ilgili yuvalara oturacak biçimde yerleştirerek açılır kapanır bölmelere güvenle koyabilirsiniz.



Çatal bıçak tepsi*

Bazı bulaşık makinesi modelleri, servis takımlarının veya küçük fincanların konulabilecek bir sürgülü tepsiye sahiptir. İdeal bir yıkama performansı için, büyük çatal bıçakları tepsinin altına yerleştirmeyin.

Çatal bıçak tepsi çıkarılabilir (Şekile bakınız).



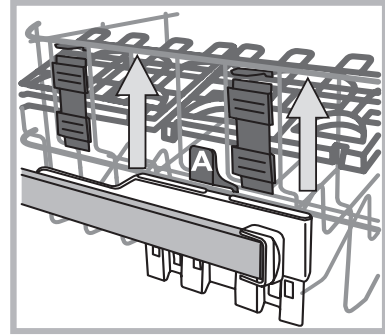
Tepsiyi yerleştirmeden önce, desteklerin üst rafa düzgün şekilde kenetlendiğinden emin olun (Şekile bakınız).

Üst rafın yüksekliğini, ihtiyaçlarınıza bağlı olarak ayarlayabilirsiniz: büyük çatal bıçakları alt rafa koymak için yüksek konumu, açılır-kapanır bölmelerden olabildiğince fazla yararlanmak amacıyla yukarıya doğru daha fazla alan elde etmek içinse aşağı konumu tercih edebilirsiniz.

Üst rafın yüksekliğinin ayarlanması

Yemek takımlarının yerleştirilmesini kolaylaştırmak için, üst raf yüksek veya alçak bir konuma yerleştirilebilir.

Üst rafın yüksekliği **RAF BOŞKEN** uygun şekilde ayarlanabilir. **ASLA** rafı sadece bir tarafından kaldırmayın veya indirmeyin.



Raf bir **Kaldırma elemanına*** sahipse (bkz. şekil), yanlarından tutarak kaldırın. Yeniden aşağı indirmek için rafın yanlarındaki kollara (**A**) basın ve rafı aşağı doğru çekin.

Uygun olmayan sofr takımları

- Ahşap sofr (çatal, bıçak, kaşık, tabak vs.) takımları.
 - Narin dekoratif bardaklar, sanat eserleri ve antika yemek takımları. Bunların dekoratif kısımları dayanıklı değildir.
 - Yüksek sıcaklıklara dayanamayan sentetik malzemeden mamul parçalar.
 - Bakır ve kalay takımlar.
 - Kül, parafin, gres veya mürekkeple kirlenmiş takımlar.
- Cam dekoratif ürünlerin ve alüminyum/gümüş parçaların rengi yıkama sırasında solabilir veya değişebilir. Bazı cam ürünler (kristal vs.) birkaç yıkama devrinden sonra matlaşabilir.

Cam ve diğer takımların hasar görmesi

Nedenleri:

- Camın ve cam üretimi sürecinin türü.
- Deterjanın kimyasal bileşkesi.
- Durulama devrindeki su sıcaklığı.

İpuçları:

- Bulaşık makinesinde yıkama konusunda üreticinin garanti verdiği cam ve porselen ürünleri kullanın.
- Takımlar için uygun bir deterjan kullanın.
- Yıkama devri bitince cam ürünleri ve diğer takımları hemen makineden çıkarın.

* Yalnızca belirli modellerde bulunmaktadır.

Bulaşık makinesinin çalıştırılması

1. Su musluğunu açın.
2. ON/OFF (Açma/Kapama) düğmesine basarak cihazı açın.
3. Kapağı açın ve yeterli miktarda deterjan dökün (*deterjan ölçümü kısmına bakın*).
4. Rafları yükleyin (*Rafların yüklenmesi başlıklı bölümü inceleyin*) ve kapağı kapatın.
5. YIKAMA ÇEVİRİMİ SEÇME düğmesini çevirerek bir yıkama çevrimi seçin: düğmenin üzerindeki çentiği, istediğiniz yıkama çevrimini gösteren numara veya sembolle aynı hizaya getirin. BAŞLAT/DURAKLAT gösterge ışığı yanıp sönecektir.
6. Yıkama seçeneklerini belirleyin* (*Bakınız Seçenekler ve Özel Yıkama Çevrimleri*).
7. BAŞLAT düğmesine basarak yıkama devrini başlatın; gösterge ışığı yanıp sönmeyi durduracak ve ışık sabit bir şekilde yanmaya devam edecektir. Yıkama devrinin başladığını bildirir yıkama fazına ilişkin gösterge ışığı yanacaktır.
8. Yıkama devrinin sonunda BİTTİ (END) gösterge ışığı yanacaktır (sabit ışık). ON/OFF AÇMA/KAPAMA düğmesine basarak cihazı kapatın, musluğu kapatın ve cihazı fişten çekin.
9. Elinizi yakmamak için, yemek takımlarını çıkarmadan önce birkaç dakika bekleyin. Rafları alttan başlayarak boşaltın.

⚠ - Makine, elektrik sarfiyatını azaltmak amacıyla, uzun bir süre işlem yapılmadığı takdirde otomatik olarak kapanır.

Çalışma sırasında yıkama çevrimini değiştirme

Yıkama çevrimini seçerken bir hata yaptıysanız, devir başlatıldıktan sonra çok kısa bir süre geçmiş olması şartıyla bu çevrimi değiştirebilirsiniz: yıkama çevrimi başladıktan sonra yıkama çevrimini değiştirmek için, AÇMA/KAPAMA/Sıfırlama düğmesini basılı tutarak makineyi durdurun. Aynı düğmeyi kullanarak tekrar açın ve istenilen yıkama çevrimini ve seçenekleri belirleyin.

İlave tabak takımlarının yerleştirilmesi

Buharın kaçmamasına dikkat ederek AÇMA/KAPAMA düğmesine basın, kapağı açın ve yemek takımlarını bulaşık makinesinin içerisine yerleştirin. Başlat/Duraklat düğmesine basın: Uzun bir bip sesinin ardından devir yeniden başlayacaktır.

⚠ Gecikmeli başlatmayı ayarladıysanız, geri sayımın sonunda yıkama devri başlamayacaktır. Makine, Duraklat modunda kalacaktır.

⚠ Makineyi duraklatmak için Başlat/Duraklat düğmesine basın; yıkama devri durdurulur.

Bu aşamada yıkama çevrimi değiştirilemez.

Yanlışlıkla ara verilmesi

Yıkama çevrimi sırasında kapak açılırsa yada elektrik kesilirse, çevrim durur. Kapak kapatıldığında veya elektrik yeniden geldiğinde, yarıda kaldığı yerden tekrar devam eder.

Deterjanın ölçülmesi

İyi bir yıkama sonucu elde edilmesi, kullanılan deterjan miktarının doğru olmasına da bağlıdır. Belirtilen miktarın aşılması daha etkili yıkamayla sonuçlanmadığı gibi çevreyi de kirletir.

Ürünlerin ne kadar kirli olduğuna bağlı olarak, toz veya sıvı deterjan miktarını duruma göre ayarlayabilirsiniz.

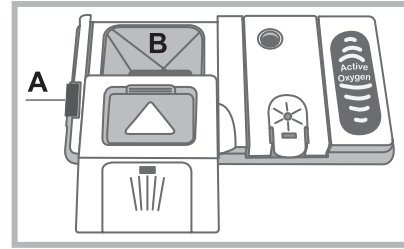
Normal derecede kirlenmiş ürünler için 35 gr toz deterjan veya 35 ml sıvı deterjan yeterlidir. Tablet kullanıyorsanız tek tablet yeterli olacaktır.

Çatak, kaşık ve bıçaklar az kirli ise ya da bulaşık makinesine yerleştirilmeden önce sudan geçirilmişler ise bu doğrultuda kullanılan deterjan miktarını azaltın.

Daha iyi yıkama sonuçları elde etmek için, deterjan paketinde belirtilen talimatlara da uyun.

Detaylı bilgi almak için deterjan üreticisinin Danışma Merkezlerine başvurun.

Deterjan dağıtıcısını kullanmak için açma elemanını "A" kullanın.



Deterjanı sadece kuru deterjan dağıtıcısına "B" koyun. Ön yıkama için kullanacağınız deterjan miktarını tekninin içine doğrudan yerleştirin.

1. Deterjan ölçümü yaparken, doğru miktarda eklemeyi temin etmek için yıkama devirleri tablosuna başvurun. B bölümü, her bir devir için konulabilecek azami sıvı veya toz deterjan miktarını gösteren bir seviye belirteciye sahiptir.

2. Deterjan kalıntılarını dağıtıcının kenarlarından temizleyin ve kapağı yerine kilitlemeye kadar kapatın.

3. Kapanma elemanı yerine sabitlenene kadar yukarı kaldırarak deterjan dağıtıcısının kapağını kapatın.

Deterjan dağıtıcısı, yıkama devrine bağlı olarak doğru zamanda otomatik olarak açılır.

Hepsi bir arada türü deterjan kullanıyorsanız, yıkama devrini en iyi yıkama ve kurulama sonuçlarına göre ayarlayan TABS (Sekmeler) seçeneğini kullanmanızı öneririz.

⚠ Sadece bulaşık makineleri için özel olarak tasarlanan deterjanları kullanın.

Sıvı bulaşık deterjanı **KULLANMAYIN**.

Aşırı deterjan kullanımı devir bittikten sonra makinede köpük kalıntılarının kalmasıyla sonuçlanacaktır.

Tabletlerin kullanımı, sadece **ÇOK FONKSİYONLU TABLETLER** opsiyonunu sunan modeller için tavsiye edilmektedir.


Her yıkama ve kurulama devrinden sonra en mükemmel sonucu elde etmek için, toz deterjan, sıvı durulama katkısı ve tuz kullanılmalıdır.

* Yalnızca belirli modellerde bulunmaktadır.

Yıkama programları

TR

Yıkama çevrimi verileri, EN 50242 AB Standardı'na göre laboratuvar koşulları altında ölçülür.
Farklı kullanım koşullarına bağlı olarak yıkama çevrimi süresi ve verileri değişebilir.

 Yıkama programı ve seçeneklerinin sayısı ve türü bulaşık makinesi modeline bağlı olarak farklılık gösterebilir.

Yıkama Çevrimi	Kurutma	Seçenekler	Yıkama Çevrimi Süresi	Su Sarfiyatı (lt/çevrim)	Enerji Sarfiyatı (kWh/çevrim)
1. Eco	Evet	Gecikmeli başlatma – Yarım yükleme	03:10'	11,0	1,04
2. Yoğun 	Evet	Gecikmeli başlatma – Yarım yükleme	02:30'	16,5	1,70
3. Normal 	Evet	Gecikmeli başlatma – Yarım yükleme	02:00'	16,0	1,35
4. Hassas 	Evet	Gecikmeli başlatma – Yarım yükleme	01:30'	12,0	1,10
5. Ekspres 40' 	Hayır	Gecikmeli başlatma	00:40'	9,0	0,95
6. Duşlama 	Hayır	Gecikmeli başlatma – Yarım yükleme	00:10'	4,0	0,01

Yıkama devri seçimi ve deterjan dozajı hakkında talimatlar:

1. ECO yıkama çevrimi, enerji etiketi verilerinde belirtilen standart yıkama çevrimidir. Normal seviyede kirlenmiş yemek takımlarını yıkamada kullanılabilir ve bu tür bulaşıkların yıkanmasında enerji ve su sarfiyatı bakımından en verimli yıkama çevrimidir.

27 gr/ml + 6 gr/ml** – 1 sekme (**ön yıkama deterjanının miktarı)

2. Çok kirlili tabaklar ve tencereler (narin ürünlerle kullanılmamalıdır). 30 gr/ml – 1 sekme

3. Normal seviyede kirlenmiş tabaklar ve tencereler. 27 gr/ml + 6 gr/ml** – 1 sekme

4. Yüksek sıcaklıklara karşı hassas olan narin ürünler için yıkama çevrimi, 30 gr/ml – 1 sekme

5. Az kirlenmiş bulaşıklar için kullanılacak hızlı yıkama çevrimi (2 yerleşimli ayarlar için ideal) 25 gr/ml – 1 sekme

6. Sonraki yemekten kalacak bulaşıkların yüklenmesi beklenirken yapılan ön yıkama. Deterjan kullanılmaz.

Bekleme konumunda sarfiyat: Açık bırakma modunda sarfiyat: 5 W - Kapalı modda sarfiyat: 0,5 W

Özel yıkama devirleri ve Seçenekler

Notlar:

"Ekspres 40" devirleri kullanıldığında, belirtilen yıkama yeri sayısına uyularak en yüksek performans düzeyine erişilebilir.

Enerji sarfiyatını azaltmak için, bulaşık makinesini sadece tam dolu halde çalıştırın.

Test Laboratuvarları için Not: Karşılaştırmalı EN test koşulları hakkında bilgi almak için, aşağıdaki adrese bir e-posta gönderin: assistenza_en_lvs@indesitcompany.com

Yıkama seçenekleri*

SEÇENEKLER, ancak yıkama devri seçildikten sonra ve Başlat/Durdur düğmesine basılmadan önce ayarlanabilir, değiştirilebilir ya da sıfırlanabilir.

Sadece yıkama devri tipine uygun olan seçenekler belirlenebilir. Herhangi bir seçenek, seçilen yıkama devrine uygun değilse (bkz. *Yıkama devirleri tablosu*), ilgili sembol ardı ardına 3 defa hızlıca yanıp söner.

Bir başka seçenekle (önceden seçilmiş olan) uyumlu olmayan bir seçenek seçilirse, bu sembol 3 kez yanıp söndükten sonra tamamen söner, en son seçilen seçenek aktif kalır.

Yanlışlıkla ayarlanan bir seçimi iptal etmek için, tekrar ilgili düğmeye basın.



Yarım yükleme

Yıkanacek çok fazla bulaşık yoksa su, elektrik ve deterjan tasarrufu yapmak için yarım yükleme çevrimi kullanılabilir. Yıkama çevrimini seçin ve HALF LOAD (Yarım Yükleme) düğmesine basın; gösterge ışığı yanar. Bu seçeneği iptal etmek için HALF LOAD (Yarım Yükleme) düğmesine tekrar basın.

Deterjan miktarını yarıya indirmeyi unutmayın.

Toz deterjan kullanılması daha uygundur.



Gecikmeli çalıştırma

Yıkama çevriminin başlama zamanını **3, 6 ya da 9 saat** ertelemek mümkündür.

- İstenen yıkama çevrimi ve diğer seçenekler belirlendikten sonra GECİKMELİ BAŞLATMA düğmesine basın; gösterge ışığı yanar.
- Gecikmeli Başlatma düğmesine ardı ardına basarak istediğiniz gecikme süresini seçin. Yıkama aşaması (3 saat), kurutma aşaması (6 saat) ve bitiş (9 saat) gösterge ışıkları sırayla yanar. Gecikmeli Başlatma düğmesine yeniden basılması durumunda opsiyon seçimi iptal edilir ve gösterge ışığı söner.
- Seçim işleminin ardından Başlat/Durdur düğmesine basılırsa geri sayım başlayacaktır. Seçilen gecikme süresinin ışığı yanıp söner ve Başlat/Duraklat düğmesinin yanıp sönmeye sona erecektir (sabit ışık).
- Seçilen süre dolduktan sonra GECİKMELİ BAŞLATMA göstergesi ışığı sönecek ve yıkama çevrimi başlayacaktır.

Gecikmeli Başlatma fonksiyonu, yıkama işlemi başladıktan sonra ayarlanamaz.

* Yalnızca belirli modellerde bulunmaktadır.

Parlatıcı ve rafine tuz

TR

⚠ Sadece bulaşık makineleri için özel olarak tasarlanmış ürünleri kullanın.

Sofra tuzu, endüstriyel tuz yada sıvı bulaşık deterjanı kullanmayın.

Paket üzerinde verilen talimatları izleyin.

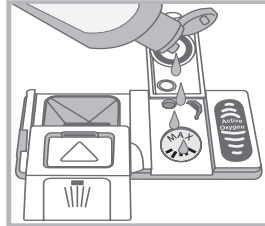
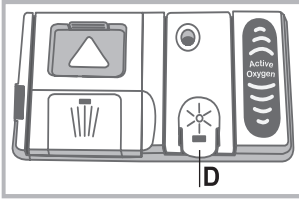
⚠ Çok fonksiyonlu bir ürün kullanıyorsanız, parlatıcı eklemeniz gerekmez. Ancak, özellikle suyun sert veya çok sert olduğu bir bölgede yaşıyorsanız mutlaka tuz eklemenizi öneririz. (Paket üzerinde verilen talimatları izleyin).

⚠ Tuz ya da parlatıcı eklemeszeniz YETERSİZ TUZ* YETERSİZ PARLATICI* gösterge ışığı kesintisiz yanar.

Parlatıcı Ölçümü

Parlatıcı, su bulaşık yüzeylerinden daha rahat aktığı ve böylece iz veya leke bırakmadığı için yemek takımlarının kurumasını kolaylaştırır. Parlatıcı, dağıtım bölmesi aşağıdakiler olduğunda doldurulmalıdır:

- Kontrol panelinde YETERSİZ PARLATICI gösterge ışığı* yanarsa, 1-2 yıkama devri kadar bir parlatıcı hala mevcut demektir;



1. Sekmeye basıp yukarı çekerek dağıtıcıyı "D" açın (kapağın üzerindeki sekme);
2. Dolum bölgesinin maksimum seviye çentiğine kadar dikkatlice parlatıcı ekleyin; başka yere dökülmemesine dikkat edin. Taşarsa, dökülenleri hemen kuru bir bezle silin.
3. "Klik" sesi duyana kadar kapağı bastırıp kapatın.

KESİNLİKLE parlatıcıyı doğrudan cihazın yıkama bölümüne dökmeyin.

Parlatıcı dağıtıcısının ayarlanması

Kurutma sonuçlarından tam anlamıyla memnun değilseniz parlatıcı miktarını ayarlayabilirsiniz. **AÇMA/KAPATMA** düğmesini kullanarak bulaşık makinesini açıp kapatın. Başlat/Duraklat düğmesine 3 kez basın; **AÇMA/KAPAMA** düğmesini kullanarak makineyi açın ve ayar menüsüne ulaşın; parlatıcının gösterge ışığı yanar (*fabrika düzeyine ayarlama*)

YIKAMA DEVRİ SEÇME düğmesini kullanarak parlatıcı seviyesini ayarlayın. Her bir yıkama devri için bir parlatıcı seviyesi vardır (0 ila maks. 4 arasında).

Ayarı kaydetmek için AÇMA/KAPATMA düğmesine basın.

Parlatıcı seviyesi ZERO (Sıfır) (ECO) olarak ayarlanırsa parlatıcı kullanılmaz. Parlatıcı bitince YETERSİZ PARLATICI gösterge ışığı yanmaz.

- Bulaşıkların üzerinde çizgiler oluşuyorsa, daha küçük bir sayı ayarlayın (1-2).
- Bulaşıkların üzerinde su damlaları oluşuyorsa, ayarlayıcıyı daha büyük bir sayıya getirin (3-4).

Su sertliğinin ayarlanması

Her bulaşık makinesinde özellikle bu tür cihazlar için tasarlanan işlenmiş tuz kullanarak daha sonra bulaşıkları yıkamak için kullanılan suyun içindeki kireci alan bir su yumuşatıcısı bulunmaktadır. Bulaşık makinesi, kirliliği azaltacak ve bölgenizdeki su sertliğine

göre yıkama performansını optimize edecek seçenekler sunmaktadır. Bu konu hakkında detaylı bilgi için yerel su sağlayıcınıza danışın.

- **AÇMA/KAPAMA** düğmesini kullanarak bulaşık makinesini açın, birkaç saniye bekleyin ve aynı düğmeyi kullanarak makineyi kapatın. Başlat/Duraklat düğmesini 3 dakika basılı tutun; **AÇMA/KAPAMA** düğmesini kullanarak makineyi kapatın ve ayar menüsüne erişin - tuzun gösterge ışığı yanar.

- **YIKAMA ÇEVİRİMİ SEÇİM** düğmesiyle istenilen düzeyi seçin (1'den 5'e kadar* Maks.)

(*su yumuşatıcısı orta seviyeye ayarlı*).

Ayarı kaydetmek için AÇMA/KAPATMA düğmesine basın. Çok işlevli tabletler kullanıyor olsanız bile tuz dağıtıcısını doldurun.

Su Sertliği Tablosu				Ortalama tuz dağıtıcı kapasitesi süresi**
Seviye	°dH	°fH	mmol/l	ay
1	0 - 6	0 - 10	0 - 1	7 ay
2	6 - 11	11 - 20	1,1 - 2	5 ay
3	12 - 17	21 - 30	2,1 - 3	3 ay
4	17 - 34	31 - 60	3,1 - 6	2 ay
5*	34 - 50	61 - 90	6,1 - 9	2/3 hafta

0°f ile 10°f arasındaki değerler için tuz kullanmanızı tavsiye etmiyoruz.
* 5 ayarının seçilmesi devir süresini uzatabilir.
** günde 1 yıkama devri.

(°dH = Alma ölçü sisteminde ölçülen sertlik - °f = Fransız ölçü sisteminde ölçülen sertlik - mmol/l = litre başına milimol)

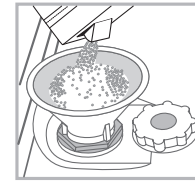
İşlenmiş tuzun ölçülmesi

Bir yıkama devrinden mümkün olan en iyi sonucu elde etmek için, tuz dağıtım bölmesini kesinlikle boş bırakmayın.

Rafine tuz kireci sudan temizler ve bu sayede çanak çömlekte kalıntı oluşmasını önler.

Tuz dağıtıcı, bulaşık makinesinin alt kısmında bulunmakta olup (*bkz. Açıklama*) şu şekilde doldurulmalıdır:

- Tuz dağıtıcısının kapağına bakıldığında yeşil ibre* görünmediğinde;
- Panel/gösterge üzerinde YETERSİZ PARLATICI gösterge ışığı



yanıldığında*;

1. Alt rafı sökün ve kapağını vidalarını açın (saat yönünün tersine).

2. Bunu ilk kez yapıyorsanız, su tankını kenarına kadar doldurun.

3. Huniyi yerleştirin* (*bkz. şekil*) ve tuz dağıtıcısını kenar kısmına kadar doldurun (yaklaşık 1 kg).

Bir miktar suyun taşması doğaldır.

4. Huniyi* çıkartın ve açıklık üzerinde kalan tüm tuz artıklarını temizleyin; akan su altında kapağı durulayın ve ardından kapağın alt kısmında yıldız şeklinde düzenlenmiş olarak bulunan dört yarıktan suyun dışarı çıkmasını sağlamak için aşağıya doğru bakan başlığa tekrar vidalayın (yeşil şamandıralı başlık*).

Dağıtıcıya her tuz eklediğinizde bu işlemleri gerçekleştirmenizi tavsiye ederiz.

Kapağın yerine sıcak vidalanmış olduğundan emin olun; böylece yıkama döngüsü süresince kabın içine herhangi bir deterjan madde giremeyecektir (Bu durum su yumuşatıcısına tamir edilemez bir şekilde zarar verebilir).

⚠ Gerektiğinde, tuz bölgesinden dışarı sızan her türlü tuz çözümünün temizlenebilmesi için tuzu yıkama devrinden önce ölçüp ayırın.

* Yalnızca belirli modellerde bulunmaktadır.

Su ve elektrik bağlantısının kapatılması

- Sızıntıları önlemek için her yıkama devrinden sonra su musluğunu kapatın.
- Makine temizlenirken ya da bakımı yapılırken makinenin fişini çekin.

Bulaşık makinesinin temizlenmesi

- Makinenin dış yüzeyini ve kontrol panelini suyla nemlendirilmiş aşındırıcı olmayan bir bezle kullanarak silin. Çözücü veya aşındırıcı ürünler kullanmayın.
- Cihaz içinde oluşan leke ya da izler nemli bir bez ile ve az bir sirke ile temizlenebilir.

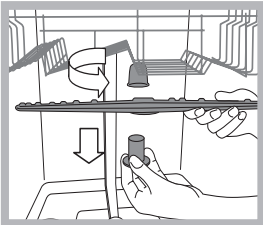
İstenmeyen kokuların önlenmesi

- Her zaman makine içerisinde nem oluşmasını ve hapsolmesini önlemek için cihazın kapağını yarı açık durumda tutun.
- Kapak ve deterjan dağıtım bölmelerinin çevresindeki contaları düzenli aralıklarla nemli bir bezle silin. Bu, yiyecek artıklarının bantlar üzerinde kalmasını engelleyecek ve bu artıkların neden olduğu istenmeyen kokuların oluşumunu önleyecektir.

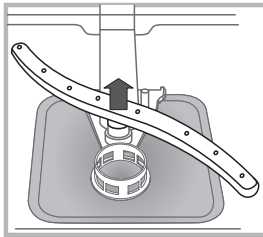
Püskürtücü kollarının temizlenmesi

Yiyecek kalıntısı püskürtücü kolların üzerine kabuk tutabilir ve suyu püskürtmek için kullanılan delikleri tıkayabilir. Bu nedenle, kolların ara sıra kontrol edilmesini ve metal olmayan küçük bir fırça ile temizlenmesini öneririz.

Her iki püskürtücü kol da çıkartılabilir.



Üst püskürtücü kolunu çıkarmak için, plastik kilitleme halkasını saat yönünün aksi istikametine döndürün. Üst püskürtücü kolu daha çok sayıda delik bulunan taraf yukarı bakacak şekilde değiştirilmelidir.



Alt püskürtücü kol, yandaki sekmelere basarak ve yukarıya doğru çekerek çıkartılabilir.

Su Giriş Filtresinin Temizlenmesi*

Su hortumları yeniyse ya da uzun bir süre boyunca kullanılmamışsa, gerekli bağlantıları yapmadan önce hortumların temiz ve artıklardan arındırılmış olduğundan emin olmak için su hortumlarından su geçişine izin verin. Söz konusu önlem alınmazsa su girişi tıkanabilir ve bulaşık makinesi hasar görebilir.

- ⚠ Musluk çıkışındaki su giriş filtresini düzenli olarak temizleyin.
- Su musluğunu kapatın.
- Su giriş hortumunun ucunun vidalarını sökün, filtreyi çıkartın ve akan suyun altında dikkatlice temizleyin.
- Filtreyi yenisi ile değiştirin ve su hortumunu eski pozisyonunda vidalayın.

Filtrelerin temizlenmesi

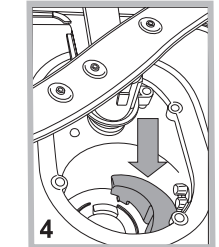
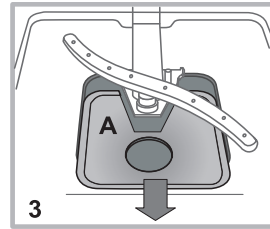
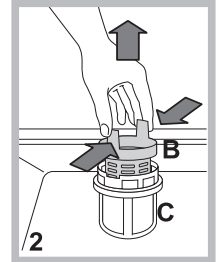
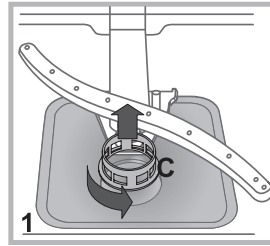
Filtre grubu, yıkama suyundan yiyecek kalıntılarını temizleyen ve suyu tekrar döndüren üç ayrı filtreden oluşmaktadır. Her yıkamada en iyi sonuçları elde etmek için temizlenmelidirler.

⚠ Filtreleri düzenli aralıklarla temizleyin.

⚠ Bulaşık makinesi filtreler bulunmadan ya da filtreler gevşek durumdayken kullanılmamalıdır.

- Birkaç yıkamadan sonra, filtre takımını kontrol edin ve gerekiyorsa akan musluk suyunun altında metal olmayan bir fırça kullanarak ve aşağıdaki talimatlara uyarak iyice temizleyin:
- 1. C silindirik filtresini saat yönünün tersine döndürün ve dışarı çekin (şek. 1).
- 2. Kapak filtresi B'yi yan kanatlara hafif basınç uygulayarak çıkartın (şek. 2).
- 3. Paslanmaz çelik plaka filtresi A'yı dışarı doğru kaydırın (şek. 3).
- 4. Tıkaçı kontrol edin ve her türlü yiyecek kalıntısını temizleyin.

Yıkama devri pompa korumasını **ASLA SÖKMEYİN** (siyah kısım) (şek.4).



Filtreleri temizledikten sonra filtre grubunu yeniden yerine takın ve sabitleyin; bu durum bulaşık makinesinin verimli kullanımının elde edilmesi için gereklidir.

Makinenin uzun süre kullanılmaması

- Cihazın elektrik bağlantısı kesin ve su musluğunu kapatın.
- Cihazın kapağını yarı açık durumda bırakın.
- Geri döndüğünüzde, bulaşık makinesi boş halde bir yıkama devri yaptırın.

* Yalnızca belirli modellerde bulunmaktadır.

Sorun Giderme

TR

Cihazın çalışmasında problem olması durumunda Destek talebinde bulunmadan önce aşağıdaki listede bulunan çözüm yollarını kontrol edin:

Sorun:	Olası nedenleri / çözümler:
Bulaşık makinesi çalıştırmıyor veya kontrol edilemiyor.	<ul style="list-style-type: none">AÇMA/KAPATMA düğmesine basarak cihazı kapatın. Yaklaşık bir dakika sonra yeniden açın ve programı sıfırlayın.Makine fişi doğru takılmamıştır.Bulaşık makinesinin kapağı düzgün kapatılmamıştır.
Kapak kapatılmıyor.	<ul style="list-style-type: none">Kilit serbest kalmıştır. "Klik" sesi duyulana kadar kapağı güçlüce itin.
Bulaşık makinesinden hiç su tahliye edilmiyor.	<ul style="list-style-type: none">Bulaşık makinesinin yıkama çevrimi henüz sona ermemiştir.Su tahliye hortumu bükülmüştür (bkz. Montaj).Pis su borusu tıkalıdır.Filtre, yiyecek artıkları nedeniyle tıkanmıştır.
Bulaşık makinesi çok gürültü çıkarıyor.	<ul style="list-style-type: none">Tabaklar birbirlerine veya püskürtücü kollara çarparak ses çıkartıyor.Aşırı köpük meydana geldi: deterjan doğru ölçülmemiş ya da bulaşık makinelerinde kullanılmaya uygun değil (bkz. Başlatma ve Kullanım).
Bulaşıklar ve bardaklar beyaz bir tabaka ile ya da kireç ile kaplanıyor.	<ul style="list-style-type: none">Rafine tuz seviyesi düşük veya dozaj ayarı su sertliğine uygun değil (bkz. Parlatıcı ve Tuz).Tuz dağıtıcısındaki kapak doğru kapatılmamış.Parlatıcı bitmiştir veya dozaj çok azdır.
Tabak ve bardaklarda çizgiler yada mavimsi lekeler oluşuyor.	<ul style="list-style-type: none">Parlatıcı dozajı çok fazla.
Tabak takımları düzgün kurutulmamış.	<ul style="list-style-type: none">Kurutma programsız bir yıkama çevrimi seçilmiştir.Parlatıcı bitmiştir veya dozaj çok azdır (bkz. Parlatıcı ve Tuz).Parlatıcı ayarı uygun değil.Yıkanan ürünler yapışmaz veya plastik malzemeden üretilmiştir.
Tabaklar temizlenmemiş.	<ul style="list-style-type: none">Raflar çok fazla doldurulmuştur (bkz. Rafların Doldurulması).Yemek takımları doğru yerleştirilmemiştir.Püskürtme kolları serbest hareket edemiyordur.Yıkama çevrimi çok hassastır (bkz. Yıkama Çevrimleri).Aşırı köpük meydana geldi: deterjan doğru ölçülmemiş ya da bulaşık makinelerinde kullanılmaya uygun değil (bkz. Başlatma ve Kullanım).Parlatıcı bölmesinin kapağı doğru kapatılmamıştır.Filtre kirli veya tıkalıdır (bkz. Temizlik ve Bakım).Rafine tuz seviyesi azdır (bkz. Parlatıcı ve Tuz).
Bulaşık makinesi içeri hiç su almıyor - Musluk kapalı alarmı (Kurutma ve Son gösterge ışıkları yanıp söner.)	<ul style="list-style-type: none">Şebeke suyu kesiktir.Su giriş hortumu bükülmüştür (bkz. Montaj).Musluğu açın; makine birkaç dakika sonra çalışacaktır."Bip" sesi duyulunca hiçbir işlem yapılmadığından cihaz durmuştur*. (<i>*Yalnızca belirli modellerde bulunmaktadır.</i>) <p>AÇMA/KAPATMA düğmesini kullanarak makineyi kapatın, musluğu açın ve 20 saniye sonra aynı düğmeye basarak makineyi tekrar açın. Cihazı sıfırlayın ve yıkama çevrimini yeniden başlatın.</p>

* Yalnızca belirli modellerde bulunmaktadır.

RU

Русский, 43

DFG 26B10

Содержание

Предосторожности и рекомендации, 44

Общие требования к безопасности

Утилизация

Энергосбережение и охрана окружающей среды

Установка, 45-46-47

Расположение и нивелировка

Водопроводное и электрическое подсоединения

Предупреждения по первому использованию машины

Первое включение

Технические данные

Описание изделия, 48

Общий вид

Панель управления

Загрузка корзин, 49-50

Нижняя корзина

Верхняя корзина

Регуляция высоты верхней корзины

Третья корзина*

Включение и эксплуатация, 51

Запуск посудомоечной машины

Загрузка моющего средства

Программы, 52

Таблица программ

Специальные программы и Дополнительные функции, 53

Ополаскиватель и регенерирующая соль, 54

Заливка ополаскивателя

Загрузка регенерирующей соли

Техническое обслуживание и уход, 55

Отключение воды и электрического тока

Чистка посудомоечной машины

Средства против неприятных запахов

Чистка оросителей

Чистка фильтра подачи воды

Чистка фильтров


Длительный простой машины

Неисправности и методы их устранения, 56

Сервисное обслуживание, 57

Предосторожности и рекомендации

RU

 Изделие спроектировано и изготовлено в соответствии с международными нормативами по безопасности. Настоящие инструкции составлены в целях вашей безопасности и должны быть внимательно прочитаны.

Важно сохранить данное руководство для его последующих консультации. В случае продажи, передачи или переезда проверьте, чтобы данное техническое руководство сопровождало изделие.

Необходимо внимательно прочитать настоящие инструкции: в них содержатся важные сведения об установке изделия, его эксплуатации и безопасности.

Данное изделие предназначено для бытового или другого аналогичного использования, например:

- в помещениях, предназначенных для приготовления пищи для персонала магазинов, офисов и прочих учреждений;
- в агротуристических усадьбах;
- для использования проживающими в гостинице, мотеле и в других временных местах проживания;
- в гостиницах типа «номер с завтраком».

Общие требования к безопасности

- Данный электроприбор не может быть использован лицами (включая детей) с ограниченными физическими, сенсорными или умственными способностями, неопытными или незнакомыми с инструкциями обращения с электроприбором, в отсутствие контроля лиц, ответственных за их безопасность.
- Взрослые должны следить, чтобы дети не играли с электроприбором.
- Данное изделие предназначается для непрофессионального использования в домашних условиях.
- Изделие предназначено для мытья посуды в домашних условиях, может быть использовано только взрослыми людьми в соответствии с инструкциями, приведенными в данном техническом руководстве.
- Запрещается устанавливать изделие на улице, даже под навесом, так как воздействие на него дождя и грозы является чрезвычайно опасным.
- Не прикасайтесь к посудомоечной машине босыми ногами.
- Не тяните за сетевой кабель для отсоединения вилки изделия из сетевой розетки, возьмитесь за штепсельную вилку рукой.
- Необходимо перекрыть водопроводный кран и вынуть штепсельную вилку из сетевой розетки перед началом чистки и технического обслуживания машины.
- В случае неисправности категорически запрещается открывать внутренние механизмы изделия с целью их самостоятельного ремонта.
- Не опирайтесь и не садитесь на открытую дверцу машины: машина может опрокинуться.
- Не держите дверцу открытой, так как об нее можно случайно споткнуться.
- Храните моющие средства и ополаскиватель вдали от детей.
- Не разрешайте детям играть с упаковочными материалами.

Утилизация

- Утилизация упаковочных материалов: соблюдайте местные нормативы по утилизации упаковочных материалов.
- Согласно Европейской Директиве 2012/19/EU касательно утилизации электронных и электрических электроприборов (**WEEE**) электроприборы не должны выбрасываться вместе с обычным городским мусором. Выведенные из строя приборы должны собираться отдельно для оптимизации их утилизации и рекуперации составляющих их материалов, а также для безопасности окружающей среды и здоровья. Символ зачеркнутая мусорная корзинка, имеющийся на всех приборах, служит напоминанием об их отдельной утилизации. За более подробной информацией о правильной утилизации бытовых электроприборов пользователи могут обратиться в специальную государственную организацию или в магазин.

Энергосбережение и охрана окружающей среды

Экономия воды и электроэнергии

- Используйте посудомоечную машину только с полной загрузкой. В ожидание полного заполнения машины во избежание образования неприятных запахов включите цикл Ополаскивание (*см. Программы*).
- Выбирайте программу мойки, подходящую для данного типа посуды и степени загрязнения в соответствии с Таблицей программ:
 - для нормально грязной посуды используйте программу Eco, обеспечивающую низкий расход электроэнергии и воды.
 - если машина загружена не полностью, включите дополнительную функцию Половина загрузки * (*см. Запуск и эксплуатация*).
- Если ваш контракт с поставщиком электроэнергии предусматривает разные часовые тарифы для экономии электроэнергии, пользуйтесь машиной во время с льготным тарифом. Дополнительная функция Запуск с задержкой* (*см. Запуск и эксплуатация*) может помочь спланировать мойку с энергосбережением.

Моющие средства, не содержащие фосфатов, хлора и содержащие ферменты

- Настоятельно рекомендуем использовать моющие средства, не содержащие фосфатов и хлора, что помогает сохранить окружающую среду.
- Ферменты оказывают особо эффективное воздействие при температуре около 50°C, поэтому при использовании моющих веществ с ферментами можно выбрать программы мойки с низкими температурами, получая те же результаты, что и при мойке при 65°C.
- Аккуратно дозируйте моющее средство в соответствии с указаниями производителя, с степенью жесткости воды, со степенью загрязнения и с количеством посуды во избежание нерационального расхода. Хотя моющие средства и являются биоразлагаемыми, они содержат вещества, отрицательно влияющие на природу.

⚠ В случае переезда перевозите машину в вертикальном положении. В случае крайней необходимости машина может быть положена задней стороной вниз.

Расположение и нивелировка

1. Снимите упаковку с изделия и проверьте, чтобы на нем не было повреждений, нанесенных при транспортировке. При обнаружении повреждений не подсоединяйте машину, а обратитесь к продавцу.

2. Установите посудомоечную машину в нишу кухонного гарнитура, так чтобы сбоку или сзади она прилегала к стене или к кухонным элементам. Изделие также может быть встроено под сплошной столешницей кухонного гарнитура* (см. схему Монтажа).

3. Установите посудомоечную машину на ровный и твердый пол. Выровняйте машину, отвинчивая или завинчивая передние опорные ножки до идеально горизонтального положения машины. Точная нивелировка гарантирует стабильность и помогает избежать вибраций, шумов и смещений машины.

4*. Отрегулируйте высоту задней опоры, повернув шестигранную красную втулку, расположенную спереди, в центральной нижней части посудомоечной машины, шестигранным разводным ключом с раскрытием 8 мм по часовой стрелке для увеличения высоты и против часовой стрелки для ее уменьшения. (смотрите инструкции по встроенному монтажу, прилагающиеся к документации)

Водопроводное и электрическое подсоединения

⚠ Электрическое и водопроводное подсоединения машины должны выполняться только квалифицированным техником.

⚠ Посудомоечная машина не должна давить на трубы или на провод электропитания.

⚠ Изделие должно быть подсоединено к водопроводу при помощи новых труб. Не используйте б/у трубы.

Трубы подачи воды и слива и провод электропитания могут быть направлены вправо или влево для оптимальной установки машины.

Подсоединение шланга подачи воды

- К крану холодной воды: прочно привинтите трубу подачи воды к крану с резьбовым отверстием 3/4 газ. Перед закруткой дайте стечь воде до тех пор, пока она не станет прозрачной во избежание засорения машины нечистотами.
- К крану горячей воды: если в вашем доме централизованная система отопления, посудомоечная машина может быть запитана горячей водой из водопровода, если температура воды не превышает 60°C.

⚠ Привинтите трубу к крану, как описано выше для подсоединения холодной воды.

⚠ Если длина водопроводного шланга будет недостаточной, следует обратиться в специализированный магазин или к уполномоченному сантехнику (см. Техническое обслуживание).

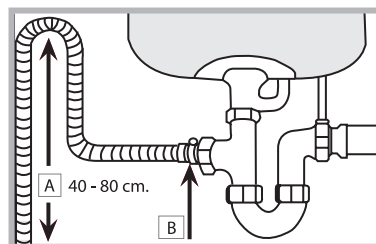
⚠ Давление воды должно быть в пределах значений, указанных в таблице Технические данные (см. сбоку).

Проверьте, чтобы водопроводный шланг не был заломлен или сжат.

Подсоединение сливного шланга

Подсоедините сливной шланг, не сгибая его, к сливному трубопроводу с минимальным диаметром 4 см.

Сливной шланг должен быть расположен на высоте от 40 до 80 см от пола или от платформы посудомоечной машины (А).



Перед подсоединением сливного шланга к сифону мойки снимите пластиковую пробку (В).

Защита против затопления

Во избежание затопления посудомоечная машина:

- оснащена системой, перекрывающей подачу воды в случае аномалии или внутренних утечек.

Некоторые модели оснащены дополнительным защитным устройством **New Acqua Stop***, предохраняющим от затопления даже в случае разрыва водопроводного шланга.



ВНИМАНИЕ: ОПАСНОЕ НАПРЯЖЕНИЕ!

Категорически запрещается обрезать шланг подачи воды, так как вдоль него проходят элементы под напряжением.

Электрическое подсоединение

Перед подсоединением вилки машины к электрической розетке необходимо проверить следующее:

- сетевая розетка должна быть соединена с заземлением и соответствовать нормативам;
- электрическая розетка должна быть рассчитана на максимальную потребляемую мощность изделия, указанную на заводской табличке, расположенной с внутренней стороны дверцы. (см. Описание посудомоечной машины);
- напряжение сети электропитания должно соответствовать данным на паспортной табличке, расположенной с внутренней стороны дверцы машины;
- сетевая розетка должна быть совместима со штепсельной вилкой изделия. В противном случае поручите замену вилки уполномоченному технику (см. Техническое обслуживание); не используйте удлинители и тройники.

⚠ Изделие должно быть установлено таким образом, чтобы провод электропитания и электророзетка были легко доступны.

⚠ Сетевой кабель изделия не должен быть согнут или сжат.

⚠ Если сетевой кабель поврежден, во избежание опасности поручите его замену производителю изделия или уполномоченному Центру технического обслуживания. (См. Техническое обслуживание)

Пленка защиты от конденсата*


После установки посудомоечной машины в нишу кухонного элемента откройте ее дверцу и наклейте прозрачную самоклеящуюся полосу снизу деревянной кухонной рабочей поверхности для ее защиты от возможного конденсата.

Предупреждения по первому использованию машины

После монтажа вынуть заглушки, установленные на корзинах, и снять крепежные резинки с верхней корзины (если имеются).

Непосредственно перед первой мойкой, непосредственно перед первым циклом мойки заполните бачок соли водой и засыпьте в него примерно 1 кг соли (см. раздел *Ополаскиватель и регенерирующая соль*): если вода будет вытекать из бачка, это нормальное явление. Выберите степень жесткости воды (см. раздел *Ополаскиватель и регенерирующая соль*).

- После загрузки соли индикатор **ОТСУТСТВИЕ СОЛИ*** гаснет.

 Если бачок не будет заполнен солью, смягчитель воды и нагревательный элемент могут повредиться.

Машина оснащена акустическими/звуковыми сигналами (в зависимости от модели посудомоечной машины), которые предупреждают о выполнении команды: включение, конец цикла и т.п.

Символ/индикаторы на консоли управления/дисплее могут иметь разные цвета, мигать или гореть постоянно. (в зависимости от модели посудомоечной машины).

* Имеется только в некоторых моделях

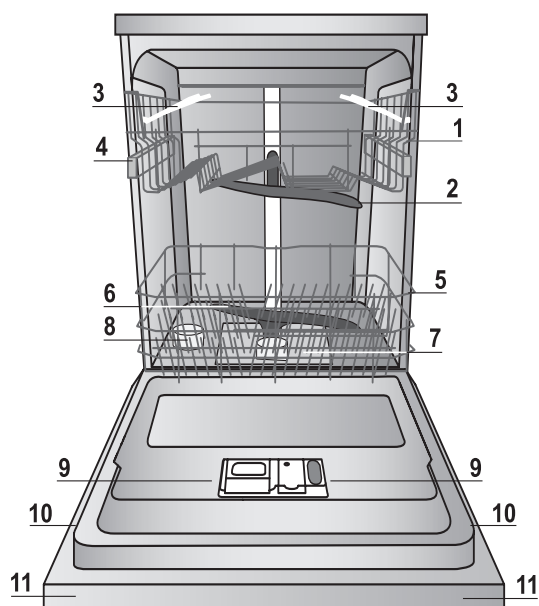
Изделие:	Посудомоечная машина
Торговая марка:	
Торговый знак изготовителя:	
Модель:	DFG 26B10
Изготовитель:	Indesit Company
Страна-изготовитель:	Сделано в Польше (POLAND)
Загрузка	13 столовых наборов
Размеры	ширина 60 см высота 85 см глубина 60 см
Номинальное значение напряжения электропитания или диапазон напряжения	220-230 V ~
Условное обозначение рода электрического тока или номинальная частота переменного тока	50 Hz
Давление воды	0,05-1МПа (0,5-10 bar) 7,25-145 psi
Предохранитель	См. табличку технических данных на оборудовании
Класс мойки	A
Класс сушки	A
Класс энергопотребления	A
Потребление электроэнергии	1,04 кВт/час
Потребление воды за стандартный цикл мойки	11 л
Класс защиты от поражения электрическим током	Класс защиты I
    IPX0 В случае необходимости получения информации по сертификатам соответствия или получения копий сертификатов соответствия на данную технику, Вы можете отправить запрос по электронному адресу cert.rus@indesit.com.	Оборудование соответствует следующим директивам Европейского Экономического Сообщества: -2006/95/EC («Низкое напряжение») - 2004/108/EC («Электромагнитная совмести-мость») - 2009/125/EC («Comm. Reg. 1016/2010») (Ecodesign) - 2012/19/EU («Утилизация электрического и электронного») - 97/17/EC (Этикетирование) "Упаковка и отдельные ее элементы не предназначены для контакта с пищей"
Дату производства данной техники можно получить из серийного номера, расположенного под штрих-кодом (S/N XXXXXXXXXX * XXXXXXXXXXXX), следующим образом:	- 1-ая цифра в S/N соответствует последней цифре года, - 2-ая и 3-я цифры в S/N - порядковому номеру месяца года, - 4-ая и 5-ая цифры в S/N - числу определенного месяца и года.

Производитель:	Indesit Company S.p.A.
	Виале А. Мерлони 47, 60044, Фабриано (АН), Италия
Импортер:	ООО "Индезит РУС"
С вопросами (в России) обращаться по адресу:	до 01.01.2011: Россия, 129223, Москва, Проспект Мира, ВВЦ, пав. 46 с 01.01.2011: Россия, 127018, Москва, ул. Двинцев, дом 12, корп. 1

Описание изделия

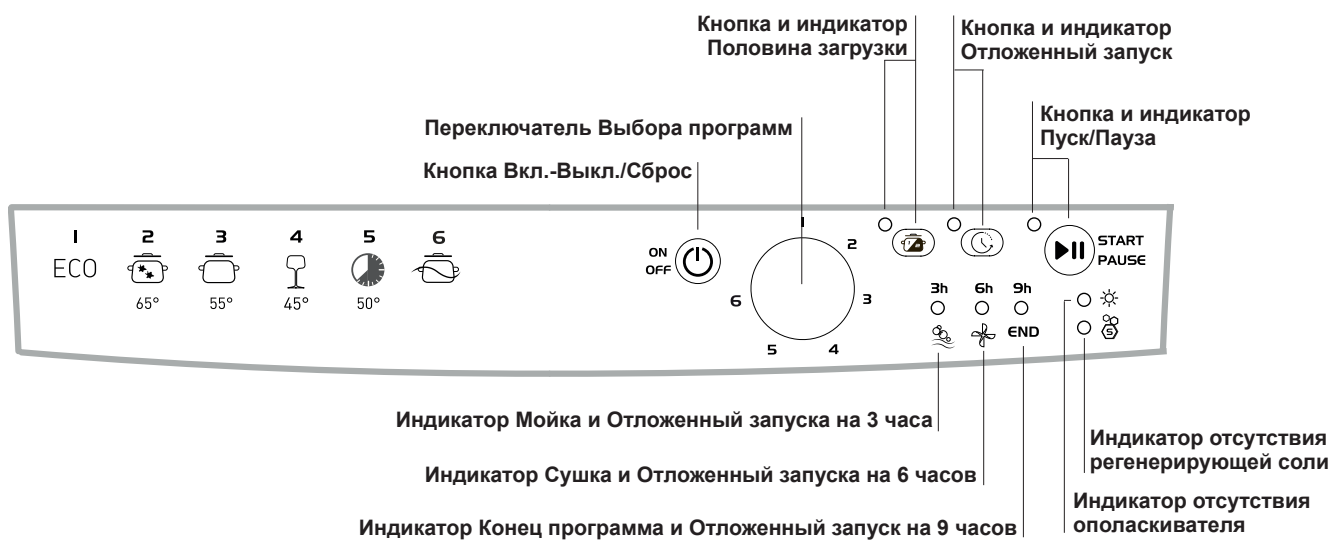
RU

Общий вид



1. Верхняя корзина
2. Верхний ороситель
3. Откидные полочки
4. Регулятор высоты корзины
5. Нижняя корзина
6. Нижний ороситель
7. Фильтр мойки
8. Бачок для соли
9. Дозаторы моющего вещества, дозатор ополаскивателя и устройство Active Oxygen*
10. Паспортная табличка***
11. Консоль управления***

Панель управления



*** Только в полностью встраиваемых моделях.

* Имеется только в некоторых моделях

Количество и тип программ и дополнительных функций варьирует в зависимости от модели посудомоечной машины.

Загрузите корзины

Рекомендации

Перед загрузкой корзин удалите с посуды остатки пищи, вылейте оставшееся содержимое из стаканов и чашек.

Ополаскивать посуду водой не требуется.

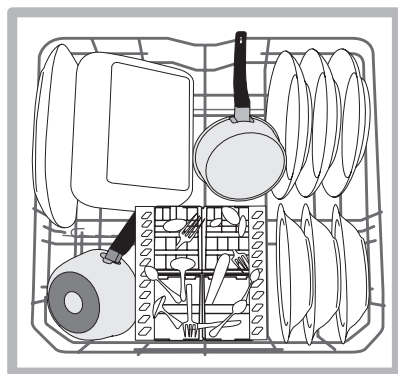
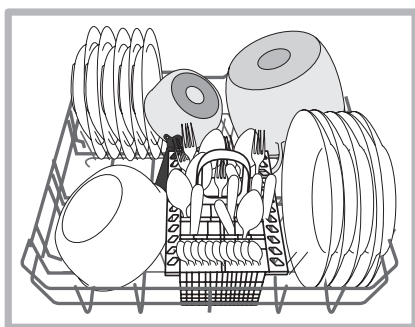
Разместить посуду в посудомоечной машине прочно, чтобы посуда не опрокинулась, установить посуду дном вверх или боком, чтобы вода могла промыть посуду внутри и стекать. Проверить, чтобы крышки, ручки, сковородки и подносы не препятствовали вращению оросителей. Мелкие столовые приборы разместить в корзинке для столовых приборов.

Пластиковая посуда и сковородки с тефлоновым покрытием могут удерживать капли воды, следовательно их сушка может быть менее эффективной по сравнению с посудой из керамики или стали.

Легкую посуду (например, пластиковую) рекомендуется поместить в верхнюю корзину так, чтобы посуда не двигалась. Загрузив посуду, проверьте, чтобы лопасти оросителей могли свободно вращаться.

Нижняя корзина

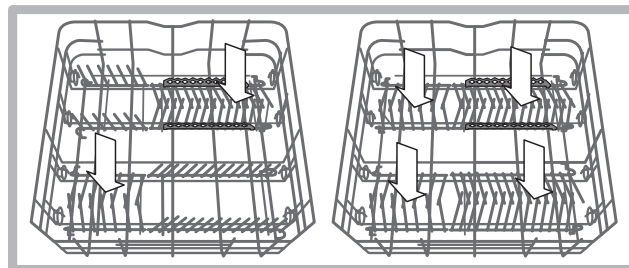
Нижняя корзина предназначена для кастрюль, крышек, тарелок, салатниц, столовых приборов и т.п. Большие тарелки и крышки рекомендуется размещать с боков корзины.



Рекомендуется разместить сильно грязную посуду в нижней корзине, так как в этой части струи воды более сильные и обеспечивают оптимальную мойку посуды.

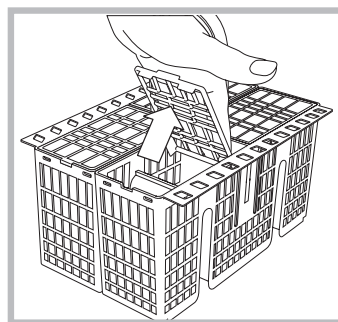
* Имеются только в некоторых моделях и варьируют по количеству и расположению.


Некоторые модели посудомоечных машин оснащены наклонными отделениями*, которые можно использовать также в вертикальном положении для размещения тарелок или в горизонтальном положении (наклонном) для более удобного размещения кастрюль и салатниц.



Корзинка для столовых приборов

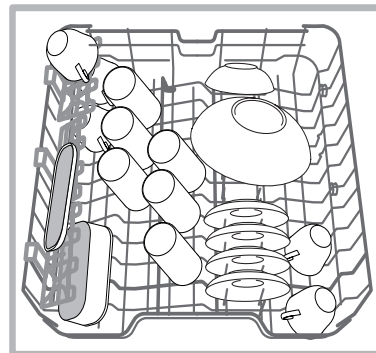
Корзинка для столовых приборов раскрывается и перемещается для оптимизации места в нижней корзине. Сверху в ней имеются решетки для более удобного размещения столовых приборов.



 Ножи и острые столовые приборы следует помещать в корзинку для столовых приборов острием вниз или разместить их на откидных полках в верхней корзине в горизонтальном положении.

Верхняя корзина

Загрузить хрупкую и легкую посуду: стаканы, чашки, блюдца, мелкие салатницы.

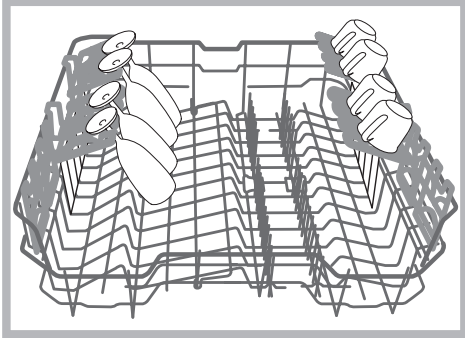


В некоторых моделях посудомоечных машин имеются откидные секции*, используемые в вертикальном положении для размещения чайных блюдец или десертных тарелочек или в опущенном положении для размещения мисок и пищевых коробок.

Откидные полки с варьируемым положением

Боковые откидные полки могут быть установлены на трех разных уровнях для оптимизации размещения посуды в корзине.

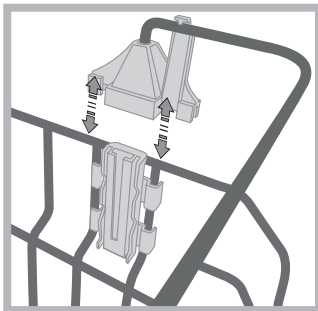
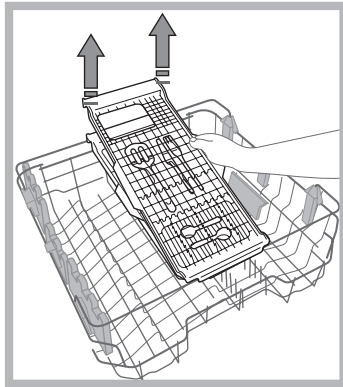
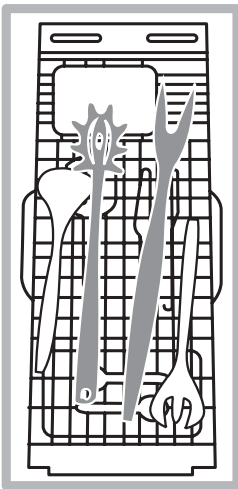
Бокалы можно стабильно поместить на откидные полки, вставив ножку бокала в специальные прорези.



Полка для столовых приборов*

В некоторых моделях посудомоечных машин может иметься выдвижной лоток, который можно использовать для столовых приборов или маленьких чашек. Для оптимальных результатов мойки не следует помещать на лоток крупную посуду.

Лоток для столовых приборов является съемным. (см. схему)



Перед загрузкой лотка проверьте, чтобы крепления были прочно прикреплены к верхней корзине. (см. схему)

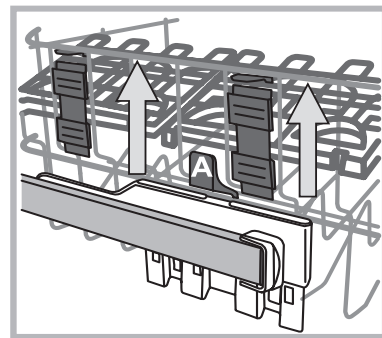
Верхнюю корзину можно регулировать по высоте в зависимости от нужд: в верхнем положении, когда в нижней корзине требуется разместить крупную посуду; в нижнем положении - для использования места для откидных полок, освобождая больше места сверху.

Регуляция положения верхней корзины

Для облегчения размещения посуды можно отрегулировать высоту верхней корзины, установив ее выше или ниже.

Рекомендуется регулировать высоту верхней корзины БЕЗ ПОСУДЫ.

НИКОГДА не поднимайте и не опускайте корзину, взявшись за нее только с одной стороны.



Если корзина оснащена **Lift-Up*** (см. схему), поднимите корзину, взявшись за нее с боков и переместив ее вверх. Для опускания корзины вниз нажмите на рычажки (A) с боков корзины и направьте корзину вниз.

Посуда, непригодная для посудомоечных машин

- Деревянные столовые приборы и посуда.
- Деликатная посуда с узорами, посуда ручной работы и антикварная посуда. Узоры такой посуды повредятся в посудомоечной машине.
- Детали из синтетических материалов, неустойчивые к высокой температуре.
- Медная и оловянная посуда.
- Посуда, загрязненная пеплом, воском, смазочными веществами или чернилами.

Узоры по стеклу, алюминиевые и серебряные элементы могут изменить свой цвет и полинять. Некоторые виды стекла (например, хрусталь) после многократной мойки могут стать матовыми.

Повреждение стекла и посуды

Причины:

- Тип и метод изготовления стекла.
- Химический состав моющего вещества.
- Температура воды в программе ополаскивания.

Рекомендации:

- Использовать только стаканы и фарфор, имеющие гарантию производителя для мытья в посудомоечных машинах.
- Использовать моющее вещество, предназначенное специально для посудомоечных машин.
- Вынуть стаканы и столовые приборы из посудомоечной машины как можно скорее по завершении программы.

* Имеется только в некоторых моделях

Запуск посудомоечной машины

1. Откройте водопроводный кран.
2. Выключите машину кнопкой ВКЛ./ВЫКЛ.
3. Откройте дверцу и поместите в дозатор моющее вещество (см. *Загрузка моющего средства*).
4. Загрузите посуду в корзины (см. *Загрузка корзин*) и закройте дверцу.
5. Выберите программу, повернув рукоятку ВЫБОР ПРОГРАММ: отметка на рукоятке должна совпасть с цифрой или с символом программы. Индикатор, соответствующий кнопке ПУСК/ПАУЗА, загорается.
6. Выберите дополнительные функции мойки * (см. *Дополнительные функции и Специальные программы*).
7. Запустите программу, нажав кнопку ПУСК. Индикатор из мигающего режима переключится в постоянно включенный. Включение индикатора, соответствующего мойке, сообщает о начале программы.
8. По завершении программы загорится индикатор КОНЕЦ (в постоянно включенном режиме). Выключите машину при помощи кнопки ВКЛ.-ВЫКЛ., перекройте водопроводный кран и отсоедините штепсельную вилку машины от сетевой розетки.
9. Подождите несколько минут перед тем, как вынуть посуду из машины во избежание ожогов. Выгрузку посуды из машины начинайте с нижней корзины.

-В целях энергосбережения в некоторых случаях ПРОСТОЯ машина отключается автоматически.

Изменение текущей программы

В случае ошибочного выбора программы ее можно изменить сразу же после запуска цикла: после запуска цикла для изменения программы мойки выключите машину, нажав на несколько секунд кнопку ВКЛ./ВЫКЛ./Отмена, и вновь включите ее той же кнопкой, вновь выберите нужную программу и дополнительные функции.

Порядок догрузки посуды

Нажмите кнопку ВКЛ./ВЫКЛ., откройте дверцу машины, обращая внимание на выход пара, и доложите посуду. Нажмите кнопку Пуск/Пауза: цикл возобновится после длинного звукового сигнала.

Если был задан отложенный запуск, по завершении обратного отсчета цикл мойки не запустится, но останется в режиме Пауза.

При нажатии кнопки Пуск/Пауза для переключения машины в режим паузы, программа прерывается. На данном этапе нельзя изменить программу.

Случайное прерывание мойки

Если в процессе мойки вы откроете дверцу машины или внезапно отключится электропитание, программа мойки прервется. Когда дверца машины закроется или вернется электроэнергия, программа возобновится с того момента, в который она была прервана.

* Имеется только в некоторых моделях.

Загрузка моющего средства

Хороший результат мойки зависит также от правильной дозировки моющего средства, излишек которого не улучшает эффективность мойки, а только загрязняет окружающую среду.

В зависимости от степени загрязнения посуды можно настроить дозировку для каждого отдельного случая для жидкого или порошкового моющего средства.

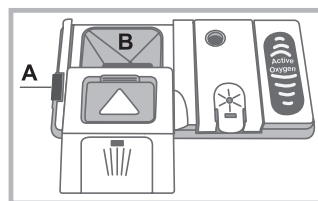
Обычно для нормального загрязнения используется примерно 35 гр (порошкового моющего средства) или 35 мл (жидкого). Если используются таблетки, достаточно одной штуки.

Если посуда несильно загрязнена или была предварительно ополоснута водой, значительно сократите дозу моющего средства.

Для качественной мойки соблюдайте инструкции, приведенные на упаковках с моющими веществами.

За дополнительными разъяснениями просим обращаться в отдел консультаций в Компании производители моющих средств.

Для открывания дозатора моющего средства нажать на устройство открывания "А".



Поместить моющее средство в сухую ячейку "В". Моющее средство в количестве для предварительной мойки, помещается непосредственно в бак.

1. Используйте правильное количество моющего вещества согласно Таблице программ.

В дозаторе В имеется шкала, показывающая максимальный уровень жидкого моющего вещества или порошка для каждого цикла.

2. Удалите остатки моющего средства с краев дозатора и закройте крышку с щелчком.

3. Закройте крышку дозатора, прижав его сверху, вплоть до правильного защелпления запорного устройства.

Дозатор моющего вещества открывается автоматически в нужный момент в зависимости от программы.

Если используются комбинированные моющие средства, рекомендуется использовать функцию TABS, за счет которой программа обеспечивает оптимальный результат мойки и сушки.

Используйте только специальные моющие средства для посудомоечных машин.

НЕ ИСПОЛЬЗУЙТЕ моющие средства для ручного мытья посуды.

Излишек моющего средства может оставить следы от пены по завершении цикла.

Рекомендуется использовать моющее средство в таблетках, только если в Вашей модели имеется дополнительная функция МНОГОФУНКЦИОНАЛЬНЫЕ ТАБЛЕТКИ.






Оптимальные результаты мойки и сушки достигаются только в случае использования моющего средства в порошке, жидкого ополаскивателя и регенерирующей соли.

Программы

RU

Данные программы являются значениями, полученными в измерительной лаборатории в соответствии с европейским нормативом EN 50242. В зависимости от различных условий эксплуатации продолжительность и данные программы могут варьировать.

 Количество и типы программ и дополнительных функций варьируют в зависимости от модели посудомоечной машины.

Программа	Сушка	Дополнительные функции	Продолжительность программы час: мин	Расход воды (л/цикл)	Расход энергии (кВтч/цикл)
1. ECO	Да	Отложенный запуск - Половина загрузки	03:10'	11,0	1,04
2. Интенсивная 	Да	Отложенный запуск - Половина загрузки	02:30'	16,5	1,70
3. Обычная 	Да	Отложенный запуск - Половина загрузки	02:00'	16,0	1,35
4. Деликатная посуда 	Да	Отложенный запуск - Половина загрузки	01:30'	12,0	1,10
5. быстрая мойка 40' 	Нет	Отложенный запуск	00:40'	9,0	0,95
6. Предварительное ополаскивание 	Нет	Отложенный запуск - Половина загрузки	00:10'	4,0	0,01

Рекомендации по выбору программ и дозировке моющего средства

1. Цикл мойки ECO является стандартной программой, к которой относятся данные на паспортной табличке машины; этот цикл подходит для посуды с нормальным загрязнением и является наиболее эффективным в плане энергосбережения и экономии воды для такого типа посуды. 27 гр/мл + 6 гр/мл** – 1 Табл. (**Количество моющего средства для предварительной мойки)
2. Очень грязные посуда и кастрюли (не использовать для мойки деликатной посуды). 30 гр/мл – 1 Табл.
3. Нормально загрязненная посуда и кастрюли. 27 гр/мл + 6 гр/мл** – 1 Табл.
4. Цикл для деликатной посуды, более чувствительной к высокой температуре. 30 гр/мл – 1 Табл.
5. Короткий цикл для посуды с незначительным загрязнением. (оптимальный цикл для посуды на 2 персоны) 25 гр/мл - 1 Табл.
6. Предварительная мойка в ожидании завершения полной загрузки машины после следующей трапезы. Без моющего средства.

Расход в режиме сохранения энергии Расход в режиме left-on: 5,0 Вт - расход в выключенном состоянии: 0,5 Вт

Специальные программы и Дополнительные функции

Примечания:

оптимальный результат программ "быстрая мойка40" достигается при соблюдении указанного количества загружаемой посуды.

Для большей экономии используйте посудомоечную машину, когда она полностью загружена.

Примечание для Испытательных Лабораторий: для получения более подробной информации об условиях сравнительного испытания EN пошлите запрос на адрес: assistenza_en_lvs@indesitcompany.com

Дополнительные функции мойки

Вы можете выбрать, изменить или отменить ДОПОЛНИТЕЛЬНЫЕ ФУНКЦИИ только после выбора программы мойки и до нажатия кнопки Пуск/Пауза.

Могут быть выбраны только функции, совместимые с выбранной программой мойки. Если какая-либо функция несовместима с выбранной программой (*см. Таблицу программ*), соответствующий символ/индикатор часто мигнет 3 раза.

При выборе дополнительной функции, несовместимой с ранее выбранной другой дополнительной функцией, индикатор этой функции мигает 3 раза и гаснет, в то время как останется включенным индикатор последней выбранной функции.

Для отмены ошибочно выбранной функции вновь нажмите соответствующую кнопку.



Половина загрузки

Если посуда не сильно загрязнена, можно запрограммировать половину загрузки, что позволяет сэкономить воду, электроэнергию и моющее вещество. Выберите программу мойки кнопкой ПОЛОВИНА ЗАГРУЗКИ: загорится соответствующий индикатор. Еще одно нажатие кнопки ПОЛОВИНА ЗАГРУЗКИ отменяет эту функцию.

Не забудьте засыпать только половину дозы моющего средства.



Отложенный запуск

Запуск программы может быть отложен на **3, 6** или **9** часов:

- 1: Выбрав нужную программу мойки и возможные дополнительные функции, нажмите кнопку ОТЛОЖЕННЫЙ ЗАПУСК: индикатор загорится.
- 2: Выберите нужное время запуска, нажав несколько раз кнопку Отложенный запуск. Индикаторы мойки (3 часа), сушки (6 часов) и конец цикла (9 часов) последовательно загорятся. При последующем нажатии кнопки Отложенный запуск данная функция отменяется, и индикатор гаснет.
3. После выбора функции нажмите кнопку Пуск/Пауза для начала обратного отсчета. Время отложенного запуска мигает, кнопка Пуск/Пауза перестает мигать (стабильно включена).
3. По окончании обратного отсчета индикатор ОТЛОЖЕННОГО ЗАПУСКА гаснет, и цикл мойки запускается.

После запуска цикла нельзя задать Отложенный запуск.

*Имеется только в некоторых моделях.

Ополаскиватель и регенерирующая соль

RU

⚠ Используйте только специальные моющие средства для посудомоечных машин. Не используйте поваренную или промышленную соль и моющие средства для ручного мытья посуды.

Следуйте инструкциям, приведенным на упаковке мощного средства.

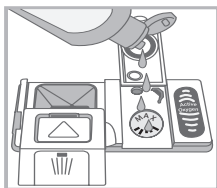
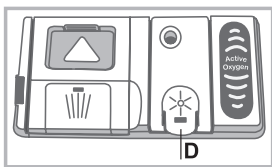
⚠ Если вы используете многофункциональное моющее средство, ополаскиватель добавлять не нужно, рекомендуется добавить соль, в особенности, если водопроводная вода жесткая или очень жесткая. (Следуйте инструкциям, приведенным на упаковке мощного средства).

⚠ Если вы не добавляете ни соли, ни ополаскивателя, индикаторы **ОТСУТСТВИЕ СОЛИ*** и **ОТСУТСТВИЕ ОПОЛАСКИВАТЕЛЯ*** будут всегда гореть, что является нормальным.

Заливка ополаскивателя

Ополаскиватель облегчает сушку посуды, так как вода лучше стекает с ее поверхности, и на посуде таким образом не остается разводов или пятен. Необходимо долить ополаскиватель в дозатор:

- когда на консоли управления загорается индикатор **ОТСУТСТВИЕ ОПОЛАСКИВАТЕЛЯ***, остаточное количество ополаскивателя хватит еще на 1-2 цикла;



1. Откройте дозатор "D", нажав на язычок и подняв его на крышке;
2. Осторожно залейте ополаскиватель до максимальной отметки дозатора, избегая его утечки. Если Вы случайно пролили ополаскиватель мимо дозатора, удалите излишек сухой губкой.
3. Закройте крышку с щелчком.

НИКОГДА не заливайте ополаскиватель непосредственно в моечную камеру машины.

Дозирование ополаскивателя

Если Вас не удовлетворяет качество сушки, можно отрегулировать дозу ополаскивателя. Включите и выключите посудомоечную машину кнопкой ВКЛ./ВЫКЛ. Нажмите кнопку Пуск/Пауза 3 раза; включите машину кнопкой ВКЛ./ВЫКЛ., открывается меню настроек и загорается индикатор ополаскивателя. (заводская настройка)

Отрегулируйте дозирование ополаскивателя рукояткой ВЫБОР ПРОГРАММЫ; каждой программе соответствует свой уровень ополаскивателя (от 0 до макс. 4).

Нажмите кнопку ВКЛ./ВЫКЛ. для сохранения настройки. Уровень ополаскивателя можно настроить на НОЛЬ (ЕСО). В этом случае ополаскиватель не используется, и индикатор отсутствия ополаскивателя по причине его отсутствия не загорается.

- если на посуде остаются белые разводы, отрегулируйте подачу ополаскивателя на меньшее значение (1-2).
- если на посуде остаются капли воды или пятна накипи, отрегулируйте подачу ополаскивателя на более высокое значение (3-4).

Выбор степени жесткости воды

Все посудомоечные машины укомплектованы смягчителем воды, который благодаря специальной регенерирующей

соли для посудомоечных машин удаляет известь из воды, используемой для мытья посуды.

Данная посудомоечная машина может быть настроена таким образом, чтобы сократить загрязнение окружающей среды и оптимизировать качество мытья посуды в зависимости от жесткости воды. Вы можете узнать степень жесткости воды в вашем районе, обратившись в организацию водоснабжения.

- Включите машину кнопкой ВКЛ./ВЫКЛ., подождите несколько секунд, затем выключите машину кнопкой ВКЛ./ВЫКЛ. Держите нажатой кнопку Пуск/Пауза 3 секунды; включите машину кнопкой ВКЛ./ВЫКЛ., открывается меню настроек и загорается индикатор регенерирующей соли.

- Выберите рукояткой ВЫБОР ПРОГРАММ нужный уровень (от 1 до макс. 5*).

(Смягчитель настроен на среднюю степень жесткости).

Нажмите кнопку ВКЛ./ВЫКЛ. для сохранения настройки.

Если Вы пользуетесь многофункциональными таблетками, бачок с регенерирующей солью должен быть в любом случае заполнен.

Таблица жесткости воды				Средняя автономность** бачок для соли
уровень	°dH	°fH	mmol/l	месяцы
1	0 - 6	0 - 10	0 - 1	7 месяцев
2	6 - 11	11 - 20	1,1 - 2	5 месяцев
3	12 - 17	21 - 30	2,1 - 3	3 месяца
4	17 - 34	31 - 60	3,1 - 6	2 месяца
5*	34 - 50	61 - 90	6,1 - 9	2/3 недели

От 0°f до 10°f рекомендуется не использовать соль.
* при установке 5, продолжительность цикла может увеличиться. ** 1 цикл в день.

(°dH = жесткость в немецких градусах - °fH = жесткость во французских градусах - ммоль/л = миллимоль/литр)

Загрузка регенерирующей соли

Для хорошего результата мойки необходимо проверять, чтобы бачок соли никогда не был пуст.

Регенерирующая соль удаляет из воды известь, которая в противном случае остается на посуде.

Бачок соли расположен в нижней части посудомоечной машины (см. Описание) и заполняется:

- когда зеленый поплавок* не виден через крышку бачка с регенерирующей солью;
- когда на консоли управления/дисплее загорается индикатор/символ **ОТСУТСТВИЕ СОЛИ***;



1. Выньте нижнюю корзину и отвинтите крышку бачка против часовой стрелки.
2. Только для первого использования: заполните бачок водой до краев.
3. Вставьте воронку* (см. схему) и засыпьте в емкость соль до краев (примерно 1 кг); выход воды из емкости является

нормальным.

4. Выньте воронку*, удалите остатки соли с краев отверстия; ополосните пробку под струей воды перед ее закручиванием на место, переверните ее, сливая воды из четырех прорезей, звездообразно расположенных в нижней части пробки. (пробка с зеленым поплавком*)

Рекомендуется производить эту операцию при каждой засыпке соли.

Плотно закройте крышку, для того чтобы во время мойки в емкость не попадало моющее средство (может быть непоправимо повреждено устройство смягчения воды).

⚠ При необходимости загрузите соль перед циклом мойки, таким образом, соляной раствор, вылившийся через край бачка, удалится.

* Имеется только в некоторых моделях.

Отключение воды и электрического тока

- Перекрывайте водопроводный кран после каждой мойки во избежание опасности утечек.
- Выньте штепсельную вилку машины из электророзетки перед началом чистки и технического обслуживания.

Чистка посудомоечной машины

- Для чистки наружных поверхностей и панели управления машины используйте мягкую тряпку, смоченную водой. Не используйте растворители или абразивные чистящие средства.
- Возможные пятна внутри камеры мойки можно удалить при помощи тряпки, смоченной в воде с небольшим количеством уксуса.

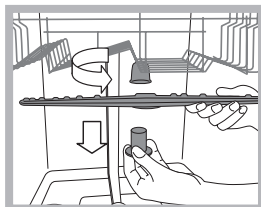
Средства против неприятных запахов

- Всегда оставляйте дверцу машины полу-прикрытой во избежание застоя влажности.
- Регулярно прочищайте периметральные уплотнения дверцы и дозаторов моющего средства при помощи влажной губки. Таким образом удаляются остатки пищи – основной причины образования неприятных запахов.

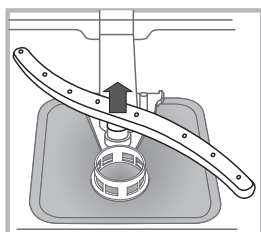
Чистка оросителей

Остатки пищи могут прилипнуть к лопастям оросителей и засорить отверстия, из которых выходит вода: время от времени следует проверять оросители и прочищать их неметаллической щеткой.

Оба оросителя являются съемными.



Для съема верхнего оросителя необходимо отвинтить против часовой стрелки пластмассовую гайку. Верхний ороситель устанавливается отверстиями вверх.



Для съема нижнего оросителя нажмите на шпонки с боков и потяните его вверх.

Очистка водного фильтра*

Если водопровод новый или если он долгое время не использовался, перед подсоединением дайте воде стечь до тех пор, пока она не станет прозрачной. Несоблюдение этого условия может привести к засорению фильтра и к повреждению посудомоечной машины.

Периодически очищайте водный фильтр, расположенный на выходе крана.

- Перекройте водопроводный кран.
- Открутите края трубы загрузки воды, снимите фильтр и аккуратно промойте его под струей воды.
- Снова вставьте фильтр и закрепите трубу.

Чистка фильтров

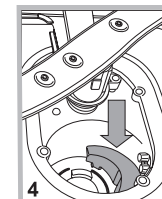
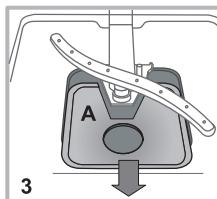
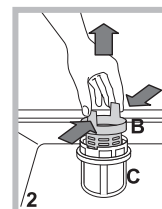
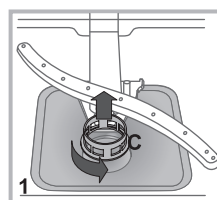
Фильтрующий узел состоит из трех фильтров, которые служат для очистки воды для мойки от остатков пищи и возвращают воду в циркуляцию: для хороших результатов мойки необходимо прочищать фильтры.

Регулярно прочищайте фильтры.

Запрещается пользоваться посудомоечной машиной без фильтров или с незакрепленным фильтром.

• После нескольких циклов мойки проверьте фильтрующий узел и при необходимости тщательно промойте его под струей воды при помощи неметаллической щетки, следуя приведенным ниже инструкциям:

1. поверните против часовой стрелки цилиндрический фильтр С и выньте его (схема 1).
2. Выньте стакан фильтр В, слегка нажав на боковые выступы (Схема 2);
3. Выньте плоский фильтр из нержавеющей стали А (схема 3).
4. Проверка отстойника и удаление возможных остатков пищи. **НИКОГДА НЕ СНИМАЙТЕ** крышку насоса (деталь черного цвета) (рис. 4).



После чистки фильтров точно установите фильтрующий узел на свое место, что является важным для исправной работы посудомоечной машины.

Длительный простой машины

- Отсоедините машину от сети электропитания и перекройте водопроводный кран.
- Оставьте дверцу машины полу-прикрытой.
- После длительного простоя машины произведите один холостой цикл мойки.

* Имеется только в некоторых моделях

Неисправности и методы их устранения

RU

В случае обнаружения аномалий в работе изделия проверьте следующие пункты перед тем, как обратиться в Сервис технического обслуживания.

Неисправности:	Возможные причины / Методы устранения:
Посудомоечная машина не запускается или не реагирует на команды	<ul style="list-style-type: none">• Выключите машину кнопкой ВКЛ./ВЫКЛ., вновь включите ее примерно через одну минуту и вновь задайте программу.• Проверьте, хорошо ли штепсельная вилка вставлена в сетевую розетку.• Дверца машины плохо закрыта.
Дверца не закрывается	<ul style="list-style-type: none">• Защелкнулся замок; энергично толкните дверцу вплоть до щелчка.
Посудомоечная машина не сливает воду.	<ul style="list-style-type: none">• Программа еще не завершилась.• Сливной шланг согнут (см. Установка).• Засорился слив в раковине.• Фильтр засорен остатками пищи.
Шумная работа посудомоечной машины.	<ul style="list-style-type: none">• Посуда бьется друг о друга или о лопасти оросителей.• Слишком много пены: моющее средство использовано в неправильном количестве или не подходит для мойки в посудомоечных машинах. (см. Запуск и эксплуатация).
На посуде и стаканах остается беловатый или известковый налет.	<ul style="list-style-type: none">• Отсутствует регенерирующая соль или регуляция ее расхода не соответствует степени жесткости воды (см. Ополаскиватель и соль).• Крышка бачка соли плохо закрыта.• Закончился ополаскиватель, или его дозировка недостаточна.
На посуде и стаканах остаются голубоватые разводы или налеты.	<ul style="list-style-type: none">• Чрезмерная дозировка ополаскивателя.
Посуда плохо высушена.	<ul style="list-style-type: none">• Была выбрана программа мойки без сушки.• Закончился ополаскиватель, или настроена недостаточная его дозировка (см. Ополаскиватель и соль).• Неправильно настроен расход ополаскивателя.• Посуда с тефлоновым покрытием или из пластика.
Посуда плохо вымыта.	<ul style="list-style-type: none">• Корзины перегружены (см. Загрузка корзин).• Посуда плохо расположена в корзинах.• Посуда мешает вращению лопастей оросителей.• Выбрана неэффективная программа мойки (см. Программы).• Слишком много пены: моющее средство использовано в неправильном количестве или не подходит для мойки в посудомоечных машинах. (см. Запуск и эксплуатация).• Крышка ополаскивателя плохо закрыта.• Фильтр засорен (см. Техническое обслуживание и уход).• Отсутствует регенерирующая соль (см. Ополаскиватель и соль).
Посудомоечная машина не заливает воду - Сигнализация закрытого крана. (часто мигают индикаторы Сушка и Конец цикла).	<ul style="list-style-type: none">• В водопроводе нет воды.• Водопроводный шланг согнут (см. Монтаж).• Откройте кран, машина запустится через несколько минут.• Машина заблокирована, потому что не было совершено никаких действий при включении звуковой сигнализации* (*Имеется только в некоторых моделях)• Выключите машину кнопкой ВКЛ./ВЫКЛ, откройте кран и через 20 секунд вновь включите машину той же кнопкой. Перепрограммируйте машину и вновь запустите цикл.

* Имеется только в некоторых моделях.

Мы заботимся о своих покупателях и стараемся сделать сервисное обслуживание наиболее качественным. Мы постоянно совершенствуем наши продукты, чтобы сделать Ваше общение с техникой простым и приятным.

Уход за техникой

Продлите срок эксплуатации и снизьте вероятность поломки техники.

Воспользуйтесь профессиональными средствами для ухода за техникой от Indesit Professional для наиболее простого, эффективного и легкого ухода за Вашей бытовой техникой.

Продукты Indesit Professional производятся в Италии с соблюдением высоких европейских стандартов в области качества, экологии и безопасности использования и созданы с учетом многолетнего опыта производителя техники. Узнайте подробнее на сайте www.indesit.ru в разделе «Сервис» и спрашивайте в магазинах Вашего города.

Авторизованные сервисные центры

Чтобы быть ближе к нашим потребителям, мы создали широкую сервисную сеть, особенностью которой является высокая подготовка, профессионализм и честность сервисных мастеров. На сегодняшний день она насчитывает около 350 сервисных центров на территории России и СНГ.

Их контакты Вы можете найти в сервисном сертификате и на сайте www.indesit.ru в разделе «Сервис».

Если вам надо обратиться в сервисный центр:

Внимание! При ремонте требуйте использования оригинальных запасных частей.

Перед тем как обратиться в Сервис Технического обслуживания:

- Проверьте, можно ли устранить неисправность самостоятельно (см. Неисправности и методы их устранения).
- Вновь запустите программу для проверки исправности машины.
- В противном случае обратитесь в уполномоченный Сервис Технического обслуживания.

 **Никогда не обращайтесь к неуполномоченным техникам.**

При обращении в Сервис Технического обслуживания сообщите:

- характер неисправности
- модель изделия (Мод.)
- серийный номер ("S/N")

Эти данные вы найдете на паспортной табличке, расположенной на изделии (см. Описание изделия).

Другую полезную информацию и новости Вы можете найти на сайте www.indesit.ru в разделе «Сервис»

KZ

Қазақша, 59

DFG 26B10

Мазмұны

Сақтық шаралары мен кеңес, 60

Жалпы қауіпсіздік
Қоқысқа тастау
Қуатты үнемдеу және қоршаған ортаны құрметтеу

Орнату - Көмек, 61-62-63

Орнату және түзулеу
Су мен токты қосу
Бірінші жуу циклына қатысты кеңес
Құрылғыны алғаш рет қосу
Техникалық деректері

Құрылғы сипаттамасы, 64

Жалпы шолу
Басқару тақтасы

Тартпаларды жүктеу, 65-66

Төменгі тартпа
Жоғарғы тартпа
Жоғарғы тартпаның биіктігін реттеу

Қосу және пайдалану, 67

Ыдыс жуу машинасын іске қосу
Жуғыш затты өлшеу

Жуу циклдары, 68

Жуу циклдарының кестесі

Арнайы жуу циклдары мен опциялары, 69

Шаюға көмекші зат және тазаланған тұз, 70

Шаюға көмекші затты өлшеу
Тазаланған тұзды өлшеу


Күтім көрсету және техникалық қызмет көрсету, 71

Су мен токты өшіру
Ыдыс жуу машинасын тазалау
Жағымсыз иістердің алдын алу
Тозаңдатқыш өзекшелерді тазалау
Судың кіріс сүзгісін тазалау
Сүзгілерді тазалау
Машинаны ұзақ уақыт пайдаланбауға қалдыру

Ақаулықтарды жою, 72

Сақтық шаралары мен кеңес

KZ

 Бұл құрылғы ағымдағы халықаралық қауіпсіздік стандарттарына сай құрылған және өнідірілген. Төмендегі ақпарат қауіпсіздік мақсатында берілген, сондықтан оны мұқият оқып шығу қажет.

Бұл нұсқаулықты кейін қарау үшін жоғалып қалмайтындай бір жерге сақтап қойыңыз. Құрылғы сатылса, тегін берілсе немесе жылжытылса, нұсқаулық машинамен бірге болатынын қамтамасыз етіңіз.

Осы нұсқаулықты мұқият оқып шығыңыз: оның ішінде орнату, пайдалану және қауіпсіздік туралы ақпарат бар.

Бұл құрылғы үйде немесе соған ұқсас жағдайда қолдануға арналған, мысалы:

- дүкендердегі, кеңселердегі және басқа жұмыс орындарындағы қызметкерлердің ас бөлмесінде;
- фермадағы үйлер;
- қонақ үйлеріндегі, мотельдердегі және басқа да қонақ күту орындарындағы қонақтардың пайдалануы үшін;
- кіші қонақ үйлерінде.

Жалпы қауіпсіздік

- Қауіпсіздігіне жауапты адам құрылғыны қолдану бойынша кеңес не нұсқау бермеген жағдайда физикалық, сезімталдық және психикалық қабілеттері төмен адамдар (оның ішінде балалар), тәжірибесіз немесе өнімнен хабары жоқ кез келген адам құрылғыны қолданбауы тиіс.
- Құрылғымен ойнауға мүмкіндік бермейтін ересек адам балаларды әрдайым бақылауы тиіс.
- Құрылғы үйде қолдануға арналған, оны коммерциялық немесе өндірістік тұрғыда қолдануға болмайды.
- Құрылғы үйдегі ыдыс-аяқты осы нұсқаулықтағы нұсқауларға сәйкес жуу үшін ересек адамдармен қолданылуға арналған.
- Жабық жер болса да, құрылғыны сыртта қолданбау қажет. Құрылғыны жауын мен найзағай астында қалдыру өте қауіпті
- Жалаң аяқ болған кезде құрылғыға тимеңіз.
- Құрылғыны токтан ажыратқан кезде, розеткадан әрдайым айырынан ұстап тартыңыз. Кабелінен ұстап тартпаңыз.
- Құрылғыны тазаламас немесе оған қызмет көрсетпес бұрын су шүмегін жабу және айырды розеткадан ағыту керек.
- Құрылғы бұзылып қалса, ешбір жағдайда өз бетіңізбен жөндеу мақсатында ішкі бөліктерге тиюші болмаңыз.
- Құрылғының ашық есігіне сүйенбеңіз немесе оған отырмаңыз: бұл құрылғыны аударып түсуі мүмкін.
- Есікті ашық қалдырып кетуге болмайды, себебі ол қауіпті кедергі болып табылады.
- Жуғыш зат пен шаюға көмекші затты балалардан аулақ ұстаңыз.
- Орама материалын бала ойыншығы ретінде қолдануға болмайды.

Қоқысқа тастау

- Орама материалын қоқысқа тастау: ораманың қайта пайдаланылуы мүмкін болатындай жергілікті заңды

қадағалаңыз.

- Қоқыс электр және электрондық жабдыққа (WEEE) қатысты 2012/19/ЕС Еуропалық директива үй құрылғылары әдеттегі қала қоқысына тасталмауын мәлімдейді. Қоршаған орта мен халық денсаулығына тиетін зиянның алдын ала отырып, машина ішіндегі материалдарды қайта пайдалану мен өңдеу дәрежесін оңтайландыру мақсатында жарамсыз құрылғылар бөлек жиналуы керек. Барлық өнімдердегі сызылған қоқыс жәшігі белгісі өнім иелерінің бөлектелген қоқыс жинауға қатысты міндетін еске салады. Үй құрылғыларын тиісті түрде қоқысқа тастау туралы қосымша ақпарат алу үшін ие адамдар тиісті мекемеге немесе жергілікті құрылғы сатушысына хабарласуы мүмкін.

Қуатты үнемдеу және қоршаған ортаны құрметтеу

Су мен қуатты үнемдеу

- Ыдыс жуу машинасы толған кезде ғана жуу циклын бастаңыз. Ыдыс жуу машинасының толуын күту барысында жағымсыз иістердің алдын алу үшін Суға салып қою циклын қолданыңыз (*«Жуу циклдары» бөлімін қараңыз*).
- Жуу циклдарының кестесін пайдалана отырып, ыдыс-аяқ түріне және ластану дәрежесіне қолайлы жуу циклын таңдаңыз:
 - орташа ластанған ыдыстар үшін Эко жуу циклын пайдаланыңыз, ол қуат пен судың төмен деңгейі қолданылатынын қамтамасыз етеді.
 - Жүктеме әдеттегіден аз болса, Жартылай жүктеу опциясын* *қосыңыз («Қосу және пайдалану» бөлімін қараңыз)*.
- Егер ток жеткізу келісім-шартында тоқты үнемдеуге арналған уақыт аралықтары болса, төмен баға қолданылатын кезде жуу циклдарын орындаңыз. Кешіктіріп бастау түймесі* (*«Қосу және пайдалану» бөлімін қараңыз*) жуу циклдарын тиісті түрде ұйымдастыруға көмектеседі.

Фосфат пен хлорды қамтымайтын, құрамында ферменттері бар жуғыш заттар

- Фосфаттарды немесе хлорды қамтымайтын жуғыш заттарды пайдаланған жөн, себебі бұл өнімдер қоршаған ортаға зиянды.
- Ферменттер 50°C шамасындағы температураларда ең тиімді түрде әрекет етеді. Сондықтан, қалыпты 65°C жуу циклындағыдай нәтижеге қол жеткізу үшін ферменттер қамтитын жуғыш заттарды температурасы төмен жуу циклдарында қолдануға болады.
- Жуғыш зат ысырап болмауы үшін өндірушінің кеңестеріне, су қаттылығы, ластану деңгейі және жуылатын ыдыс-аяқ мөлшеріне байланысты өнімді тиісті мөлшерлерде пайдаланыңыз. Биологиялық түрде ыдырайтын болса да, табиғаттың тепетеңдігіне әсер етуі мүмкін заттарды қамтиды.

* Тек кейбір үлгілерде бар.

⚠ Құрылғыны жылжыту керек болса, оны тік ұстаңыз; аса қажет болса, оны артқа қарай еңкейтуге болады.

Орнату және түзулеу

1. Құрылғыны барлық орамасынан босатыңыз және ол тасымалдау кезінде зақымдалмағанын тексеріңіз. Ол зақымдалған болса, сатушыға хабарласыңыз және орнату үдерісін тоқтатыңыз.

2. Ыдыс жуу машинасының жандары немесе артқы панелі жақындағы шкафтармен немесе қабырғамен тиетіндей реттеңіз. Бұл құрылғыны тіпті бір үстелдің үстіңгі тақтайының астына да кіргізуге болады* (*Орнату бойынша нұсқаулық парағын қараңыз*).

3. Ыдыс жуу машинасын тегіс әрі қалыпты еденге орналастырыңыз. Еден тегіс болмаса, құрылғының алдыңғы аяқтарын реттеп, оны көлденең қалыпқа жеткізу керек. Құрылғы дұрыс түзуленсе, ол қалыпты болады және жұмыс істеп тұрған кезде жылжу немесе діріл мен шуыл шығару мүмкіндігі аз болады.

4*. Артқы аяқтың биіктігін реттеу үшін ыдыс жуу машинасының құрылғының алдыңғы жағындағы төменгі орта бөлігінде 8 мм тесігі бар алты бұрышты гайка кілтін (қызыл түсті) бұраңыз. Сағат тілі бағытымен бұрсаңыз биіктік артады, ал сағат тіліне қарсы бағытта бұрсаңыз, биіктік азаяды (*осы құжаттамада берілген Ендіру нұсқаулығын қараңыз*).

Су мен токты қосу

⚠ Су мен токты тек білікті маман қосуы тиіс.

⚠ Ыдыс жуу машинасы су түтіктерінің немесе ток сымдарының үстінде тұрмауы керек.

⚠ Құрылғыны су жеткізу желісіне жаңа түтіктермен қосу қажет. Ескі түтіктерді қолданбаңыз.

Судың кіріс және шығыс түтіктерін, сондай-ақ, ток сымын ең жақсы орнатуға қол жеткізу үшін құрылғының оң немесе сол жағынан өткізуге болады.

Судың кіріс түтігін жалғау

- Қолайлы суық суды жалғау нүктесіне: түтікті жалғамас бұрын, судағы қалдықтар құрылғыны бітеп тастамауы үшін, су тап-таза болғанша, оны ағызып алыңыз; бұл әрекетті орындағаннан кейін, кіріс түтігін шүмекке $\frac{3}{4}$ газдық бұранда қосылымымен мықтап бұраңыз.
- Қолайлы ыстық суды жалғау нүктесіне: температурасы 60°C-тан аспаса, ыдыс жуу машинасына желіден ыстық су беруге болады (радиаторлары бар орталық жылыту жүйеңіз болса).

⚠ Суық суды қосуда айтылғандай, түтікті шүмекке бұраңыз.

⚠ Кіріс түтігінің ұзындығы жеткіліксіз болса, мамандырылған дүкенге немесе куәландырылған маманға хабарласыңыз (*«Көмек» бөлімін қараңыз*).

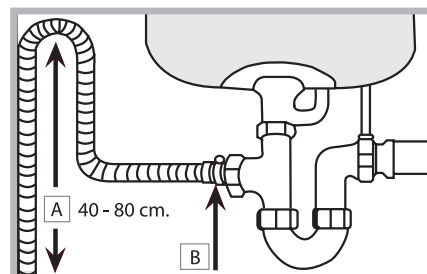
⚠ Судың қысымы Техникалық деректер кестесінде көрсетілген мәндер аралығында болуы тиіс (*қасындағы ақпаратты қараңыз*).

Түтікті майыстыруға немесе оған қысым салуға болмайды.

Судың шығыс түтігін жалғау

Шығыс түтігін (майыстырмай) диаметрі ең азында 4 см болатын су ағызу түтігіне жалғаңыз.

Шығыс түтігі еденнен немесе ыдыс жуу машинасы тұрған беттен 40-80 см аралығында болуы тиіс (А).



Судың шығыс түтігін шұңғылшаның ағызу түтігіне қоспас бұрын, пластикалық тығынды алып тастаңыз (B).

Су алып кетуден қорғау

Су алып кетуіне жол бермеу үшін, ыдыс жуу машинасы:

- қалыпсыз жағдайларда немесе құрылғының ішінен су ағып кеткен кезде су көзін бұғаттайтын арнайы жүйемен жабдықталған.

Сондай-ақ, кейбір үлгілер **New Acqua Stop*** деп аталатын қосымша қауіпсіздік құралымен жабдықталған, ол тіпті кіріс түтігінің жырытылып кеткенінде де су алып кетуден қорғайды.



ЕСКЕРТУ: ҚАУІПТІ КЕРНЕУ!

Судың кіріс түтігін ешбір жағдайда қиюшы болмаңыз, себебі онда ток өтетін электр бөліктер бар.

Токқа жалғау

Айырды розеткаға қоспас бұрын, мына жағдайларға көз жеткізіңіз:

- Розетка жерге тұйықталған және ағымдағы ережелерге сәйкес келеді.
- розетка құрылғының ең көп қуатына шыдай алады. Бұл мән есіктің ішкі жағында орналасқан деректер тілімшесінде көрсетілген (*«Құрылғы сипаттамасы» бөлімін қараңыз*);
- Ток желісінің кернеуі деректер тілімшесінде көрсетілген мәндер ауқымында жатыр.
- Розетка құрылғының штепсельдік ұшына сәйкес келеді. Олай болмаса, куәландырылған маманды шақыртып, айырды ауыстырыңыз (*«Көмек» бөлімін қараңыз*); ұзарту кабельдерін немесе бірнеше розетканы қолданбаңыз.

⚠ Құрылғы орнатылғаннан кейін, ток сымы мен розеткаға оңай қол жеткізу мүмкін болуы тиіс.

⚠ Сымды майыстыруға немесе оған қысым салуға болмайды.

⚠ Ток сымы зақымдалса, барлық ықтимал қатерлерден сақтану үшін оны өндіруші немесе оның Техникалық көмек көрсету қызметі ауыстыруы керек (*«Көмек» бөлімін қараңыз*).

* Тек кейбір үлгілерде бар.


Конденсациядан қорғайтын лента*

Ыдыс жуу машинасын орнатқаннан кейін, есікті ашып, түзілуі мүмкін конденсациядан қорғау үшін желімді мөлдір лентаны ағаш тартпаның астына жабыстырыңыз.

Бірінші жуу циклына қатысты кеңес

Орнатқаннан кейін тартпалардан тығындарды және бар болса, жоғарғы тартпада қалған эластикалық элементтерді алып тастаңыз.

Құрылғы орнатылғаннан кейін, бірінші жуу циклын іске қоспас бұрын, тұз диспенсерін сумен толық толтырыңыз да, содан кейін ғана оған шамамен 1 кг тұз қосыңыз («*Шаюға көмекші зат және тұз*» деп аталатын тарауды қараңыз). Су асып төгілуі мүмкін: бұл қалыпты жағдай және проблема емес. Су қаттылығының мөнін таңдаңыз («*Шаюға көмекші зат және тұз*» деп аталатын тарауды қараңыз). - Тұз машинаға құйылғаннан кейін, ТҰЗ АЗ индикатор шамы* сөнеді.

 Тұз контейнері толтырылмаса, нәтижесінде су жұмсартқышы мен жылыту бөлігі зақымдалуы мүмкін.

Құрылғыда пайдаланушыға пәрмен қолданылғанын білдіруге арналған сигнал/үндер жиыны бар (*Ыдысы жуу машинасының үлгісіне байланысты*): қосу, цикл соңы, т.б.

Басқару тақтасындағы/дисплейдегі таңбалардың/индикатор шамдарының/диодтардың түсі әр түрлі және жыпылықтай немесе тұрақты жарығы болуы мүмкін (*Ыдыс жуу машинасының үлгісіне байланысты*).

Көмек

Көмек қызметіне хабарласпас бұрын:

- Проблеманы Ақаулықтарды жою нұсқаулығын қолдана отырып шешуге болатынын, не болмайтынын тексеріңіз («*Ақаулықтарды жою*» бөлімін қараңыз).
- Бағдарламаны қайта іске қосыңыз да, проблема кеткенін тексеріңіз.
- Проблема шешілмесе, Куәландырылған техникалық көмек беру қызметіне хабарласыңыз.

 Куәландырылмаған мамандарға қызмет көрсеткізбеңіз.

Келесі мәліметтерді оңай жерде ұстаңыз:

- Проблеманың түрі
- Құрылғының моделі (Мод.).
- Сериялық нөмірі (С/н).

Бұл ақпаратты құрылғының деректер тілімшесінде табуға болатын («*Құрылғының сипаттамасы*» бөлімін қараңыз).

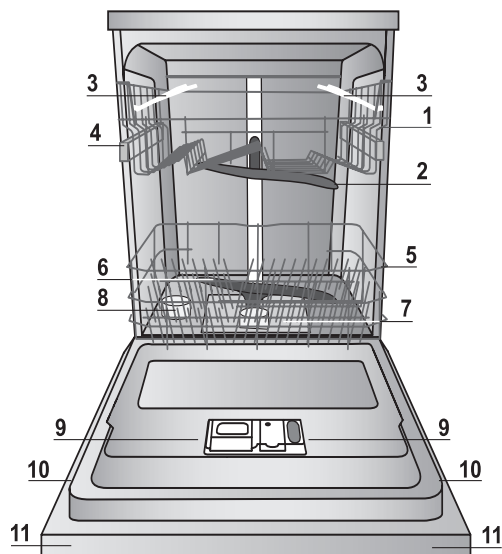
* Тек кейбір үлгілерде бар.

Құрал:	Ыдыс жуу машинасы
Сауда атауы	
Өндірушінің сауда белгісі	
Үлгі	DFG 26B10
Дайындаған	Indesit Company
Өндірілген елі	Польшада жасалған
Сыйымдылығы	13 дастархан жабдығы
Өлшемдері	Ені 60 см Биіктігі 85 см Тереңдігі 60 см
Ток желісіндегі кернеудің немесе кернеулер ауқымының номиналды мәні	220-230 В ~
Электр тоқтың стандартты түрі немесе айнымалы токтың номиналды жиілігі	50 Гц
Су қысымы	0,05-1 МПа (0,5-10 бар) 7,25-145 фунт/шаршы дюйм
Сақтандырғыш	Жабдықтың техникалық деректер кестесін қараңыз
Жуу сыныбы	A
Кептіру сыныбы	A
Қуат тұтыну сыныбы	A
Электр ток тұтынуы	1,04 кВт/сағат
Стандартты жуу циклының су тұтынуы	11 литр
Электр токтан қорғау сыныбы	I қорғау сыныбы
 <p>IPX0 Қарастырылудағы құрал бойынша сәйкестік куәліктері туралы қосымша ақпарат немесе сәйкестік куәлігінің көшірмесі қажет болса, cert.rus@indesit.com электрондық пошта мекенжайына сұрау жіберуіңізге болады.</p>	<p>Жабдық төмендегі Еуропа экономикалық қауымдастығының директиваларына сәйкес келеді:</p> <ul style="list-style-type: none"> - 2006/95/EC (“төмен кернеу”) - 2004/108/EC (“электр магниттік үйлесімділік”) - 2009/125/EC (“Comm. Reg. 1016/2010”) (Экодизайн) - 97/17/EC (Белгілеу) - 2012/19/EU («Қоқыс электр және электрондық жабдық») <p>«Орама мен оның бөлшектері тағамға тимеуі тиіс»</p>
Осы құралдың өндірілген күнін штрих-кодта көрсетілген сериялық нөмірден табуға болады (S/N XXXXXXXXX * XXXXXXXXXXXX), яғни:	<ul style="list-style-type: none"> - Сериялық нөмірдегі 1-сан жылдың соңғы санын білдіреді. - Сериялық нөмірдегі 2- және 3-сан айдың реттік нөмірін білдіреді. - Сериялық нөмірдегі 4- және 5-сан айтылған ай мен жылдың күнін білдіреді.
Өндіруші:	Indesit Company S.p.A.
	Viale A. Merloni 47, 60044 Fabriano (AN), Италия
Импорттаушы:	ООО Indesit RUS
Сұрақтарыңыз бар болса, мына мекенжайға хабарласыңыз (Ресейде):	01.01.2011 күніне дейін: Павильон 46, ВВЦ, проспект Мира, 129223 Мәскеу, Ресей 01.01.2011 күнінен кейін: корпус 1, 12-үй, Двинцев көшесі, 127018 Мәскеу, Ресей

Құрылғы сипаттамасы

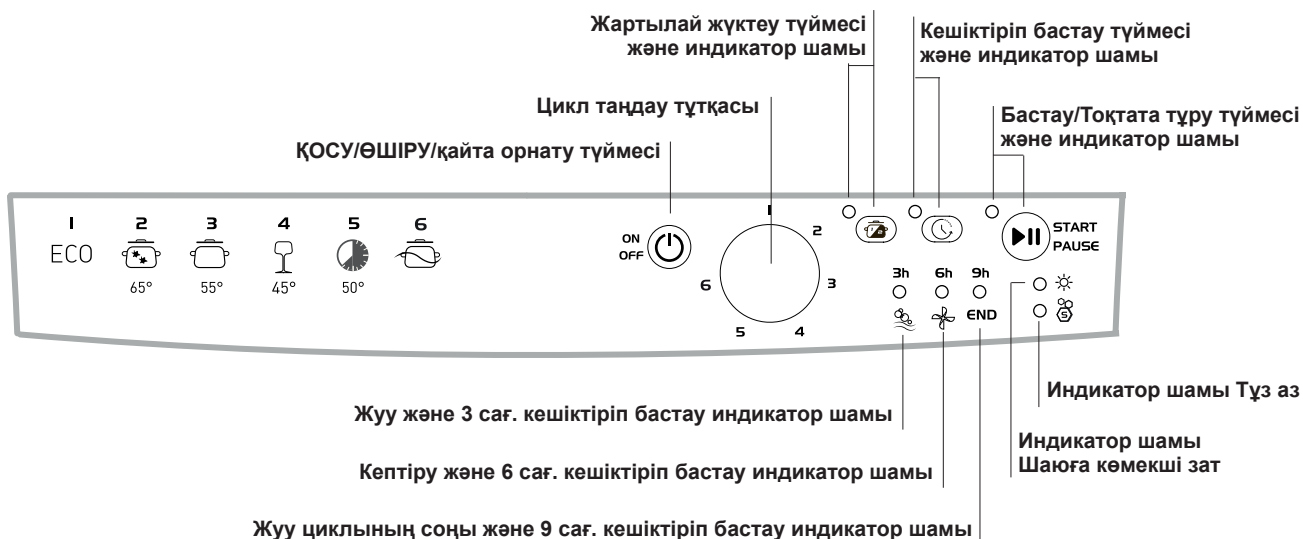
KZ

Жалпы шолу



1. Жоғарғы тартпа
2. Жоғарғы тозаңдатқыш өзекше
3. Қайырмалы бөлімшелер
4. Тартпаның биіктігін реттеу құралы
5. Төменгі тартпа
6. Төменгі тозаңдатқыш өзекше
7. Жуу сүзгісі
8. Тұз диспенсері
9. Жуғыш зат пен шаюға көмекші зат диспенсері және белсенді оттегі құралы*
10. Деректер тілімшесі
11. Басқару тақтасы***

Басқару тақтасы



*** Тек толығымен ішке салынатын үлгілерде * Тек кейбір үлгілерде бар.

Ыдыс жуу машинасының үлгісіне байланысты жуу циклдарының саны мен түрі және опциялар әртүрлі болуы мүмкін.

Кеңестер

Тартпаларды жүктемес бұрын, ыдыс-аяқтан барлық тамақ қалдықтарын тазалаңыз және стақандар мен ыдыстардан сұйықтықтарды төгіңіз. **Ағын су астында алдын ала шаюдың қажеті жоқ.**

Ыдыс-аяқ мықтап орнында ұсталып тұратындай және құлап кетпейтіндей орналастырыңыз; және ыдыстарды ауызын төмен қаратып, дөңес бөліктерін еңкейтіп қойыңыз, сонда су барлық беттерге тиіп, еркін түрде ағады.

Қақпақтар, тұтқалар, науалар және табалар тозаңдатқыш өзекшелердің бұрылуына кедергі келтірмейтініне көз жеткізіңіз. Кіші заттарды ыдыс-аяқ себетіне қойыңыз.

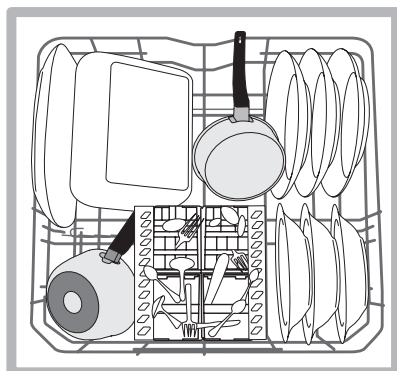
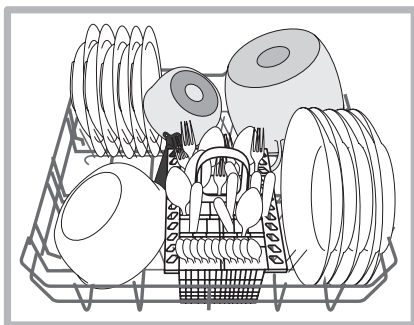
Пластмасса ыдыстар мен жабыспайтын табаларда су тамшылары көбірек қалатындықтан, олар керамикалық немесе тот баспайтын болаттан жасалған ыдыстарға қарағанда сондай жақсы кеппейді.

Пластмассадан жасалған ыдыстар сияқты жеңіл заттарды жоғарғы тартпаға қойып, жылжымайтындай орналастырылуы тиіс.

Құрылғыны жүктегеннен кейін, тозаңдатқыш өзекшелер еркін жылжи алатынына көз жеткізіңіз.

Төменгі тартпа

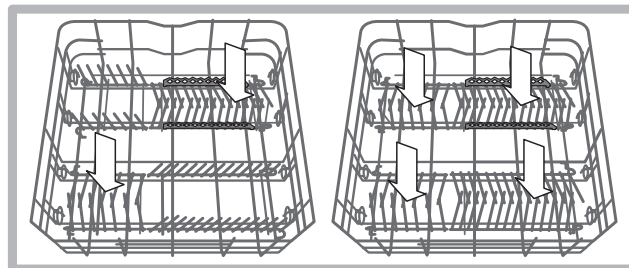
Төменгі тартпаға кастрөлдерді, қақпақтарды, тәрелкелерді, салат ыдыстарын және т.б. салуға болады. Үлкен тәрелкелер мен қақпақтарды тартпаның шет жақтарына қойған жөн.



Қатты ластанған табақтар мен кастрөлдерді төменгі тартпаға қою керек, себебі бұл жерде су қатты шашырайды да, жуу өнімділігі жоғары болады.

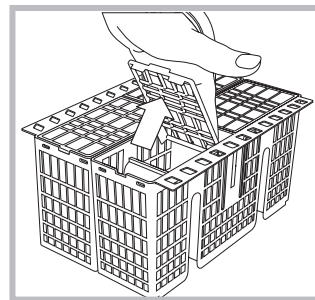
Бірнеше ыдыс жуу машинасы қайырмалы бөлімшелермен жабдықталған*.


Оларды табақтарды орналастырған кезде тік күйде немесе табалар мен салат ыдыстарын оңай орналастыру үшін көлденең күйде (төменгі) қолдануға болады.



Ыдыс-аяқ себеті

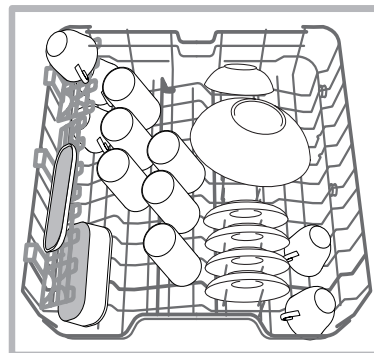
Төменгі тартпадағы орынды оңтайлы пайдалану үшін модульді себетті сырғытуға болады. Ол ыдыс-аяқты орналастыруды жеңілдететін үстіңгі торлармен жабдықталған.



 Өткір жиектері бар пышақтар және басқа құралдар төмен қаратылып ыдыс-аяқ себетіне салынуы керек немесе оларды жоғарғы тартпадағы қайырмалы бөліктерге көлденең қоюға болады.

Жоғарғы тартпа

Бұл тартпаға стақандар, шыныаяқтар, табақшалар мен тайпақ салат ыдыстары сияқты нәзік әрі жеңіл ыдыс-аяқтар салыңыз.

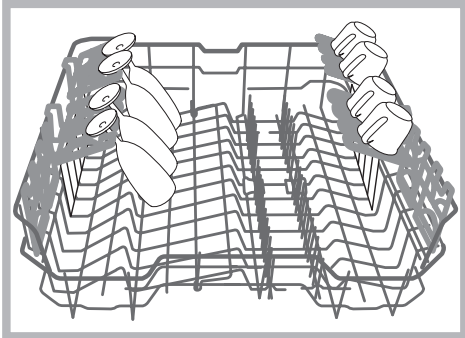


Бірнеше ыдыс жуу машинасы қайырмалы бөлімшелермен жабдықталған*. Шай/десерт табақшаларын орналастырған кезде оларды тік күйде немесе кеселер мен тағам контейнерлерін салу үшін төменгі қалыпта қолдануға болады.

*Нөмірлері мен позициялары әр түрлі таңдаулы үлгілерде ғана бар.

Позициясы реттелетін қайырмалы бөліктер

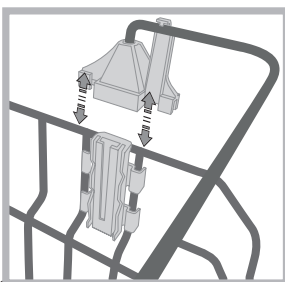
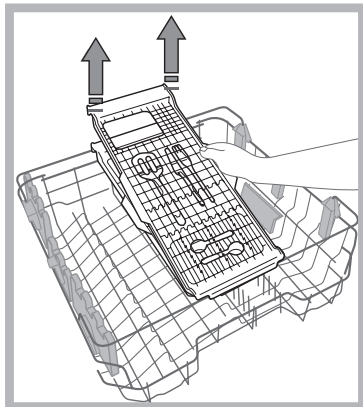
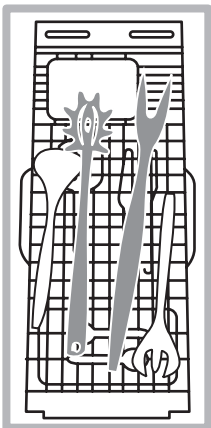
Ыдыс-аяқты тартпа ішінде оңтайлы түрде реттеу үшін шеткі қайырмалы бөліктерді үш биіктікке орналастыруға болады. Шарап бокалдарын аяғын тиісті тесікке салу арқылы қайырмалы бөліктерге қауіпсіз түрде орналастыруға болады



Ыдыс-аяқ науасы*

Кейбір ыдыс жуу машина үлгілері ас құралдарын немесе кіші шыныаяқтарды ұстап тұруға қолданылатын сырғымалы науамен жабдықталған. Жуу өнімділігі оңтайлы болуы үшін үлкен ыдыс-аяқты науаның дәл астына қоймаңыз.

Ыдыс-аяқ науасын алып тастауға болады (Суретті көріңіз).



Науаға ыдыс қоймас бұрын тіректер жоғарғы тартпаға дұрыс бекітілгеніне көз жеткізіңіз (Суретті көріңіз).

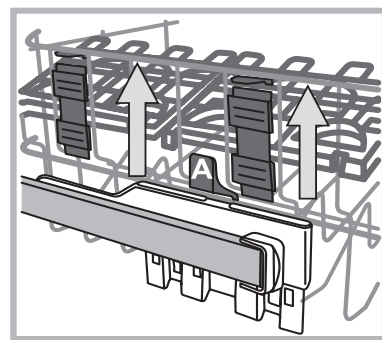
Жоғарғы тартпаның биіктігін қажеттіліктерге қарай реттеуге болады: үлкен ыдыс-аяқты төменгі тартпаға қою үшін жоғарғы позиция және жоғары жақта көбірек орын қалдыру арқылы қайырмалы бөліктерді барынша пайдалану үшін төменгі позиция.

Жоғарғы тартпаның биіктігін реттеу

Ыдыс-аяқты реттеуді жеңілдету үшін жоғарғы тартпаны жоғары немесе төмен жылжытуға болады.

Жоғарғы тартпаның биіктігі ТАРТПА БОС БОЛҒАНДА реттелуі керек.

Тартпаны тек бір жағынан көтеріп немесе төмендетіп қоюшы болмаңыз.



Тартпа **Көтеру құралымен*** (суретті қараңыз) жабдықталған болса, оны екі жағынан ұстап көтеріңіз. Төменгі позицияға қайтадан қою үшін тартпаның шеттеріндегі тұтқаларды (А) басып, тартпаны төмендетіңіз.

Лайықсыз ыдыс-аяқ

- Ағаштан жасалған ыдыс-аяқ пен ас құралдары.
- Безендірілген нәзік стақандар, қолдан жасалған бұйымдар және көне ыдыс-аяқ. Олардың әшекейі төзімді емес.
- Жоғары температураға төзімді емес синтетикалық материалдан жасалған бөліктер бар ыдыс-аяқ.
- Мыс пен қалайыдан жасалған ыдыс-аяқ.
- Күл, балауыз, майлайтын май немесе сиямен ластанған ыдыс-аяқ.

Жуу процесі барысында өсем шыны мен алюминий/күміс заттардың түсі өзгеріп, өңіп кетуі мүмкін. Сондай-ақ, бірнеше рет жуғаннан кейін кейбір шыны түрлері (мысалы, хрусталь) бұлыңғыр болып кетуі мүмкін.

Шыны мен ыдыс-аяқтың зақымдалуы

Себебі:

- Шыны мен шыны шығару процесінің түрі.
- Жуғыш заттың химиялық құрамы.
- Шаю циклындағы су температурасы.


Keңестер:

- Өндіруші ыдыс жуу машинасында жууға болатынына кепілдік берген шыны мен фарфорды қолданыңыз.
- Ыдыс-аяққа қолайлы нәзік жуғыш зат қолданыңыз.
- Стақандар мен ыдыс-аяқ жуу циклы аяқталған кезде дереу ыдыс жуу машинасынан шығарып алыңыз.

* Тек кейбір үлгілерде бар.

Ыдыс жуу машинасын іске қосу

1. Шүмекті ашыңыз.
2. ҚОСУ/ӨШІРУ түймесін басу арқылы құрылғыны қосыңыз.
3. Есікті ашып жуғыш заттың қолайлы мөлшерін құйыңыз («Жуғыш затты өлшеу» бөлімін қараңыз).
4. Тартпаларды жүктеңіз («Тартпаларды жүктеу» бөлімін қараңыз), одан кейін есікті жабыңыз.
5. ЖУУ ЦИКЛЫН ТАҢДАУ тұтқасын бұру арқылы жуу циклын таңдаңыз: тұтқадағы кетікті қажетті жуу циклын білдіретін санға немесе таңбаға дәлдеңіз. БАСТАУ/ТОҚТАТА ТҰРУ индикатор шамы жанады.
6. Жуу опцияларын таңдаңыз* («Опциялар мен арнайы жуу циклдары» бөлімін қараңыз.)
7. БАСТАУ түймесін басу арқылы циклды бастаңыз; индикатор шамы жыпылықтауын тоқтатып, жанып тұратын болады (тұрақты түрде). Жуу кезеңіне сәйкес келетін индикатор шамы жанады, солайша ол жуу циклының басталғанын білдіреді.
8. Жуу циклының соңында СОҢЫ индикатор шамы жанады (қалыпты шам). ҚОСУ/ӨШІРУ түймесін басу арқылы құрылғыны өшіріңіз, одан кейін шүмекті жабыңыз да, құрылғының айырын розеткадан ағытыңыз.
9. Қолыңызды күйдіріп алмау үшін, ыдыс-аяқты бірнеше минуттан кейін ғана алыңыз. Тартпаларды төменнен бастап босатыңыз.


 - Токты барынша аз тұтыну үшін құрылғы ұзақ белсенсіздік кездерінде автоматты түрде өшеді.


Орындалып жатқан жуу циклын өзгерту

Жуу циклын таңдау барысында қате кеткен болса, цикл жаңа ғана басталған болған жағдайда, оны өзгерту мүмкін: жуу циклын өзгерту үшін, жуу циклы басталғаннан кейін ҚОСУ/ӨШІРУ түймесін басып ұстап тұру арқылы құрылғыны өшіріңіз. Сол түйменің көмегімен оны қайтадан қосып, қажетті жуу циклы мен опцияларды таңдаңыз.

Қосымша ыдыс-аяқ қосу

Қосу/тоқтата тұру түймесін басып, шыққан бұға тимеуге тырысып есікті ашыңыз да, ыдыс-аяқты ыдыс жуу машинасының ішіне қойыңыз. Бастау/тоқтата тұру түймесін басыңыз: Ұзақ сигнал берілгеннен кейін цикл қайтадан басталады.

 Кешіктіріп бастау орнатылған болса, кері санақтың соңында жуу циклы басталады. Ол Тоқтап тұру режимінде қалады.

 Құрылғыны тоқтатып қою үшін Бастап/тоқтата тұру; жуу циклы тоқтайды. Бұл кезде жуу циклын өзгерту мүмкін емес.

Кездейсоқ тоқтаулар

Жуу циклы орындалу барысында есік ашылса немесе ток өшіп қалса, цикл тоқтайды. Есік жабылғаннан немесе ток қосылғаннан кейін ол тоқтаған жерінен қайтадан іске қосылады.

Жуғыш затты өлшеу

Жақсы жуу нәтижесі жуғыш заттың дұрыс мөлшері қолданылғанына да байланысты болады. Белгіленген мөлшерден көп қолдану жуу тиімділігін арттырмайды және қоршаған ортаны көбірек ластауға әкеледі.

Заттардың ластану дәрежесіне байланысты, ұнтақ немесе сұйық жуғыш заттардың мөлшерін реттеп отыруға болады.

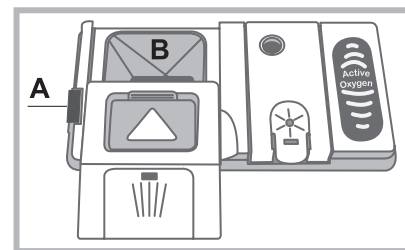
Орташа ластанған заттар үшін шамамен 35 г (ұнтақ жуғыш зат) немесе 35 мл (сұйық жуғыш зат) қолданыңыз. Таблеткалар қолданылса, біреуі жеткілікті.

Ыдыс-аяқ аз ластанған болса немесе ыдыс жуу машинасына салынбас бұрын шайылған болса, жуғыш заттың мөлшерін азайтыңыз.

Жуу нәтижесі жақсы болуы үшін жуғыш зат қорабындағы нұсқауларды да орындаңыз.

Қосымша сұрақтарыңыз болса, жуғыш зат өндірушісінің тұтынушыларға қолдау көрсету бөліміне хабарласыңыз.

Жуғыш зат тартпасын ашу үшін «А» ашу құралын пайдаланыңыз.




Жуғыш затты тек «В» құрғақ тартпаға салыңыз. Алдын ала жууға арналған жуғыш затты тікелей құрылғының ішіне салыңыз.

1. Жуғыш зат мөлшерін өлшеген кезде, дұрыс мөлшерін қосу үшін Жуу циклдарының кестесін қараңыз. В бөлігінде әрбір циклда қосуға болатын сұйық немесе ұнтақ жуғыш мөлшерін ең көп мөлшерін көрсететін белгі бар.

2. Тартпаның шетіндегі жуғыш зат қалдықтарын сүртіп алып, қақпақ «тық» еткенше итеріп жабыңыз.

3. Жабу құралы орнына бекітілгенше жуғыш зат тартпасының қақпағын жоғары көтеріп жабыңыз. Жуғыш зат тартпасы жуу циклына сәйкес тиісті уақытта автоматты түрде ашылады.

Өмбебап жуғыш заттар қолданылса, TABS опциясын пайдаланған жөн, себебі ол циклды әрдайым ең жақсы жуу және кептіру нәтижелеріне қол жеткізетіндей реттейді.

 Ыдыс жуу машиналарына арналып жасалған жуғыш заттарды ғана қолданыңыз.

Қолмен ыдыс жууға арналған сұйықтықты ҚОЛДАНБАҢЫЗ.

Шамадан тыс жуғыш затты пайдалану цикл аяқталғанда құрылғы ішінде көбіктің қалуына әкелуі мүмкін.

Таблеткаларды тек БІРНЕШЕ ФУНКЦИЯСЫ БАР ТАБЛЕТКАЛАР опциясы бар үлгілерде қолданған жөн.



Әрбір жуу және кептіру циклынан ең жақсы нәтиже алу үшін ұнтақ жуғыш зат, шаюға көмекші сұйықтық пен тұз қолданылуы керек.

Жуу циклдары

KZ

Жуу циклының дерегі EN-50242 Еуропалық стандартына сәйкес зертханалық жағдайда өлшенеді. Өр түрлі қолдану шарттары негізінде жуу циклының ұзақтығы мен дерегі өзгеруі мүмкін.

⚠ Ыдыс жуу машинасының үлгісіне байланысты жуу циклдарының саны мен түрі және опциялар әртүрлі болуы мүмкін.

Жуу циклы	Көптіру	Опциялар	Жуу циклының ұзақтығы	Су тұтыну (л/цикл)	Қуат тұтыну (кВт/цикл)
1. Эко	Иә	Кешіктіріп бастау - Жартылай жүктеу	03:10'	11,0	1,04
2. қарқынды 	Иә	Кешіктіріп бастау - Жартылай жүктеу	02:30'	16,5	1,70
3. қалыпты 	Иә	Кешіктіріп бастау - Жартылай жүктеу	02:00'	16,0	1,35
4. Нәзік 	Иә	Кешіктіріп бастау - Жартылай жүктеу	01:30'	12,0	1,10
5. Express 	Жоқ	Кешіктіріп бастау	00:40'	9,0	0,95
6. Суға салып қою 	Жоқ	Кешіктіріп бастау - Жартылай жүктеу	00:10'	4,0	0,01

Жуу циклын таңдау және жуғыш зат мөлшерін анықтау нұсқаулары

1. ЭКО жуу циклы – қуат белгісіндегі деректер нұсқап тұрған стандартты цикл. Оны ластану дәрежесі орташа ыдыс-аяқты жуу үшін қолдануға болады және осы ыдыс-аяқ түріне қуат пен суды ең тиімді түрде жұмсайды. 27 г/мл + 6 г/мл** – 1 таблетка (**Алдын ала жуу кезінде қолданылатын жуғыш зат мөлшері)

2. Қатты ластанған табақтар мен кастрөлдер (нәзік заттар үшін пайдаланылмауы тиіс). 30 г/мл – 1 таблетка

3. Орташа ластанған кастрөлдер мен табақтар. 27 г/мл + 6 г/мл** – 1 таблетка

4. Жоғары температураға сезімтал нәзік заттарға арналған цикл 30 г/мл - 1 таблетка

5. Аздап кірленген ыдыстар үшін жылдам цикл қолданылады (2 кісілік жинақтар үшін қолайлы) 25 г/мл - 1 таблетка

6. Келесі тамақтан табақтардың жүктелуінің аяқталуын күтіп тұрған кезде ыдыстарды алдын ала жуу. Жуғыш затсыз.

Күту күйіндегі тұтынуы: Қосылып тұру режиміндегі тұтынуы: 5,0 Вт - Жуу өшірулі режиміндегі тұтынуы: 0,5 Вт

Арнайы жуу циклдары мен опциялары



KZ

Ескертпелер:

«Express/Тез» циклдарын қолданған кезде, оңтайлы нәтижеге ыдыс-аяқтың белгіленген мөлшерін жуу арқылы қол жеткізуге болады.

Тұтынуды одан әрі азайту үшін ыдыс жуу машинасын тек толтырып жұмыс істетіңіз.

Сынақ зертханаларына арналған ескертпе: салыстырмалы EN сынақ жағдайлары үшін төмендегі мекенжайға электрондық хат жіберіңіз: assistenza_en_lvs@indesitcompany.com

Жуу опциялары*

Жуу циклы таңдалып, Бастау/Тоқтата тұру түймесі басылғанға дейін ғана ОПЦИЯЛАРДЫ орнатуға, өзгертуге немесе қайта орнатуға болады.

Орнатылған жуу циклының түрімен үйлесімді опцияларды ғана таңдауға болады. Опция таңдалған жуу циклына сәйкес келмесе (*Жуу циклдарының кестесін қараңыз*), тиісті таңба/диод 3 рет жылдам жыпылықтайды.

Басқа опциямен (бұрын таңдалған) үйлесімді емес опция таңдалса, ол 3 рет жыпылықтап өшеді, ал ең соңғы таңдалған опция жанып тұра береді.

Қателесіп орнатылған опцияны таңдаудан бас тарту үшін тиісті түймені тағы бір рет басыңыз.



Жартылай жүктеу

Жуылатын ыдыс көп болмаса, су, ток пен жуғыш затты үнемдеу үшін жартылай жүктеу циклын қолдануға болады. Жуу циклын таңдап, ЖАРТЫЛАЙ ЖҮКТЕУ түймесін басыңыз; индикатор шамы жанады. Бұл опциядан бас тарту үшін ЖАРТЫЛАЙ ЖҮКТЕУ түймесін қайта басыңыз.

Жуғыш зат мөлшерін екі есе азайтуды ұмытпаңыз.



Кешіктіріп бастау

Жуу циклының басталу уақытын **3, 6 немесе 9** сағатқа кешіктіруге болады:

1: Қажетті жуу циклы мен кез келген басқа опцияларды таңдағаннан кейін КЕШІКТІРІП БАСТАУ түймесін басыңыз, индикатор шамы жанады.

2: Кешіктіріп бастау түймесін бірнеше рет басып, қажетті кешіктіру уақытын таңдаңыз. Жуу кезеңі (3 сағат), кептіру кезеңі (6 сағат) және «соңы» (9 сағат) индикатор шамдары бірінен кейін бірі жанады.

Кешіктіріп бастау түймесі тағы бір рет басылса, опцияның таңдалуы доғарылып, индикатор шамы сөнеді.

3. Таңдау үдерісінен кейін Бастау/Тоқтата тұру түймесі басылса, кері санақ басталады. Таңдалған кешіктіру кезеңінің индикатор шамы жыпылықтайды және Бастау/Тоқтата тұру түймесі жыпылықтауды тоқтатады (шам тұрақты түрде жанады).

3. Уақыт аяқталғаннан кейін, КЕШІКТІРІП БАСТАУ индикатор шамы өшеді де, жуу циклы басталады.

Жуу циклы басталғаннан кейін Кешіктіріп бастау функциясын орнату мүмкін емес.

* Тек кейбір үлгілерде бар.

Шаюға көмекші зат және тазаланған тұз

KZ

⚠ Ыдыс жуу машиналарына арналып жасалған өнімдерді ғана қолданыңыз.

Ас тұзын, өндіріс тұзын немесе қолмен ыдыс жууға арналған сұйықтықты пайдаланбаңыз.

Орамада берілген нұсқауларды орындаңыз.

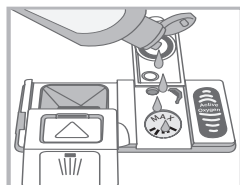
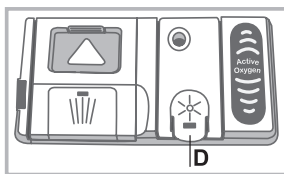
⚠ Бірнеше функциясы бар өнімді қолданатын болсаңыз, ешбір шаюға көмекші затты пайдаланудың қажеті жоқ. Дегенмен, тұз қосқанды жөн санаймыз, әсіресе суы қатты немесе өте қатты жерде тұратын болсаңыз. (Орамада берілген нұсқауларды орындаңыз).

⚠ Тұз немесе шаюға көмекші затты қоспасаңыз, ТҰЗ АЗ* және ШАЮҒА КӨМЕКШІ ЗАТ АЗ* индикатор шамдары жанып тұра береді.

Шаюға көмекші затты өлшеу

Шаюға көмекші зат ыдыс-аяқты кебуін жеңілдетеді, себебі су беттерінен жылдамырақ ағып кетеді және сондықтан сызықтар немесе дақтар қалдырмайды. Шаюға көмекші зат диспенсері мына жағдайларда толтырылуы тиіс:

- Басқару тақтасындағы ШАЮҒА КӨМЕКШІ ЗАТ АЗ индикатор шамы* жанған кезде 1-2 циклға жететіндей шаюға көмекші зат қоры әлі де болады;



1. Қақпақтағы тетікті басып, тарту арқылы «D» диспенсерін ашыңыз;
2. Толтыратын жердің ең жоғарғы белгісіне дейін шаюға көмекші затпен абайлап толтырыңыз - төгіп алмаңыз. Бұл орын алса, төгілген сұйықтықты құрғақ шүберекпен дереу сүртіп алыңыз.
3. Жабу үшін қақпақты «тық» еткенше басыңыз.

Шаюға көмекші затты құрылғының ішіне тікелей ЕШҚАШАН құюшы болмаңыз.

Шаюға көмекші зат параметрі

Келтіру нәтижесіне толығымен қанағат болмасаңыз, шаюға көмекші заттың мөлшерін реттеуіңізге болады. ҚОСУ/ӨШІРУ түймесімен ыдыс жуу машинасын қосып, өшіріңіз.

Бастау/тоқтата тұру түймесін 3 рет басыңыз; құрылғыны ҚОСУ/ӨШІРУ түймесінің көмегімен қосып, реттеу мәзіріне кіріңіз – шаюға көмекші заттың индикатор шамы жанады (зауыттық деңгейге орнатылған).

Шаюға көмекші зат беру деңгейін ЖУУ ЦИКЛЫН ТАҢДАУ тұтқасының көмегімен реттеңіз. Өрбір жуу циклы үшін шаюға көмекші зат деңгейі бар (0-ден ең көбі 4-ке дейін).

Параметрді сақтау үшін ҚОСУ/ӨШІРУ түймесін басыңыз.

Шаюға көмекші зат деңгейі НӨЛ (ЭКО) болып орнатылса, шаюға көмекші зат қосылмайды. Шаюға көмекші зат таусылса, ШАЮҒА КӨМЕКШІ ЗАТ АЗ индикатор шамы жанбайды.

- Ыдыс-аяқта сызықтар бар болса, төменірек санға орнатыңыз (1-2).
- Ыдыс-аяқта су тамшылары немесе қақ дақтары болса, жоғары санды орнатыңыз (3-4).

Судың қаттылығын орнату

Өрбір ыдыс жуу машинасы, дәл осы құрылғы түріне арналған тазаланған тұзды пайдалана отырып ыдыс-аяқты жуу үшін пайдаланылатын қақсыз суды қамтамасыз ететін су жұмсартқышымен жабдықталады.

Бұл ыдыс жуу машинасында қоршаған ортаны ластауды

азайтуға көмектесетін параметр бар және ол мекеніңіздегі судың қаттылығының деңгейіне сәйкес жуу өнімділігін оңтайландырады. Бұл ақпаратты жергілікті су жеткізушіден сұраңыз.

- ҚОСУ/ӨШІРУ түймесінің көмегімен ыдыс жуу машинасын қосыңыз, одан кейін бірнеше секунд күтіңіз де, ҚОСУ/ӨШІРУ түймесінің көмегімен оны өшіріңіз. Бастау/тоқтата тұру түймесін басып, 3 секунд ұстап тұрыңыз; құрылғыны ҚОСУ/ӨШІРУ түймесінің көмегімен қосып, реттеу мәзіріне кіріңіз – тұздың индикатор шамы жанады.

-ЖУУ ЦИКЛЫН ТАҢДАУ тұтқасының көмегімен қажетті деңгейді (1-ден ең көбі 5-ке* дейін).

(су жұмсартқышы орташа деңгейге орнатылған).

Параметрді сақтау үшін ҚОСУ/ӨШІРУ түймесін басыңыз.

Тіпті бірнеше функциясы бар таблеткаларды қолдансаңыз да, тұз диспенсерін толтырыңыз.

Су қаттылығының кестесі				Тұз диспенсерінің сыйымдылығының орташа мерзімі**
деңгей	°dH	°fH	ммоль/л	ай
1	0 - 6	0 - 10	0 - 1	7 ай
2	6 - 11	11 - 20	1,1 - 2	5 ай
3	12 - 17	21 - 30	2,1 - 3	3 ай
4	17 - 34	31 - 60	3,1 - 6	2 ай
5*	34 - 50	61 - 90	6,1 - 9	2/3 апта

0°f мен 10°f аралығындағы мөндер үшін тұзды қолдану ұсынылмайды.
* «5» параметрі цикл мерзімін ұзартуы мүмкін.
** күніне 1 жуу циклы.

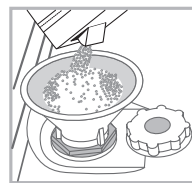
(°dH = Герман дәрежелерінде өлшенген қаттылық - °f = Франсуз дәрежелерінде өлшенген қаттылық – ммоль/л = бір литрдегі миллимоль)

Тазаланған тұзды өлшеу

Жуу циклын қолдануда барынша жақсы нәтижеге қол жеткізу үшін, тұз диспенсері ешқашан бос болмайтынын қамтамасыз етіңіз. Тазаланған тұз суды қақтан тазалайды, осылайды ыдыс-аяқта тұнбалардың пайда болуына жол бермейді.

Тұз диспенсері ыдыс жуу машинасының төменгі бөлігінде орналасқан («Сипаттама» бөлімін қараңыз) және мына жағдайларда толтырылуы тиіс:

- Жасыл қалтқы* тұз диспенсерінің үстінен жай ғана қарағанда көрінбейтін кезде;
- ШАЮҒА КӨМЕКШІ ЗАТ АЗ индикатор шамы басқару тақтасында жанған кезде*;



1. Төменгі тартпаны шығарып алып, қақпақты бұрап шығарып алыңыз (сағат тіліне қарсы бағытта).
2. Мұны бірінші рет орындаған кезде: су ыдысын шетіне дейін толтырыңыз.
3. Шұңғыманы қойып* (суретті қараңыз), тұз диспенсерін шетіне дейін толтырыңыз (шамамен 1 кг). Аз мөлшерде судың ағуы қалыпты жағдай.

4. Шұңғыманы алып тастап*, тесіктен тұз қалдықтарын сүртіп алыңыз; қақпақты су ағыны астында шайыңыз да, қақпақтың (жасыл қалтқысы бар қақпақ*) төменгі жағындағы (жұлдыз пішініндегі) төрт кетіктен су ағып кетуі үшін, бетін төмен қаратып бұраңыз.

Диспенсерге тұз қосқан сайын бұл процедураны орындаған жөн.

Жуу циклы барысында контейнерге жуғыш зат кіріп кетпейтіндей қақпақ мықтап жабылғанына көз жеткізіңіз (әйтпесе, су жұмсартқышы жөндеуге келмейтіндей бұзылуы мүмкін).

⚠ Қажет кезде, жуу циклынан бұрын тұзды өлшеп алыңыз, солайша тұз диспенсерінен шыққан кез келген тұз ерітіндісі жойылады.

* Тек кейбір үлгілерде бар.

Су мен тоқты өшіру

- Су ағып кетпеуі үшін әрбір жуу циклынан кейін су шүмегін жауып отырыңыз.
- Құрылғыны тазалаған кезде және техникалық қызмет көрсету жұмыстарын орындаған кезде оны токтан ажыратыңыз.

Ыдыс жуу машинасын тазалау

- Құрылғының сыртқы беттері мен басқару тақтасын сумен ылғалданған, абразивті емес шүберекпен тазалауға болады. Еріткіштер немесе абразивті ерітінділер қолдануға болмайды.
- Құрылғының ішіндегі кез келген салтақ іздерді сумен және аздап сіркемен ылғалданған шүберекпен кетіруге болады.

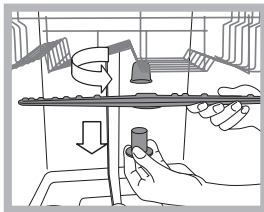
Жағымсыз иістердің алдын алу

- Құрылғының іші дымқылданып кетпеуі үшін оның есігін әрдайым біраз ашып ұстаңыз.
- Есік айналасындағы бекіткіштер мен жуғыш зат диспенсерлерін мерзімді түрде ылғал губкамен тазалап отырыңыз. Мұның нәтижесінде бекіткіштерде тамақ тұрып қалмайды, ал бұл жағдай жағымсыз иістердің пайда болуының негізгі себебі.

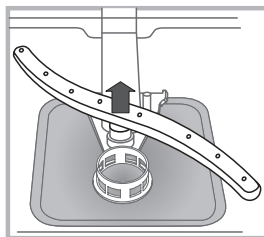
Тозаңдатқыш өзекшелерді тазалау

Тамақ қалдықтары тозаңдатқыш өзекшелердің бетіне қатып қалып, су шашатын тесіктерді бітеуі мүмкін. Сондықтан, өзекшелерді мерзімді түрде тексеріп, металсыз щеткамен тазаланып тұрғаны жөн.

Екі тозаңдатқыш өзекшені де шығарып алуға болады.



Жоғарғы тозаңдатқыш өзекшені шығарып алу үшін пластмассадан жасалған құлыптау сақинасын сағат тіліне қарсы бағытта бұраңыз. Жоғарғы тозаңдатқыш өзекшені тесіктері көбірек жағын жоғары қаратып қайтадан орнына қою керек.



Төменгі тозаңдатқыш өзекшені бүйірлердегі шығыңқы жерлерді басып, оны жоғары қарай тарту арқылы шығарып алуға болады.

Судың кіріс сүзгісін тазалау*

Су түтіктері жаңа немесе ұзақ уақыт бойы қолданылмаған болса, жалғамас бұрын олар арқылы су өткізіп, таза әрі ішінде қалдықтар жоқ екеніне көз жеткізіңіз. Бұл сақтық шарасы орындалмаса, судың кіріс бітеліп, ыдыс жуу машинасы зақымдалуы мүмкін.

⚠ Шүмек жағындағы судың кіріс сүзгісін мерзімді түрде тазалап отырыңыз.

- Су шүмегін жабыңыз.
- Судың кіріс түтігінің шетін босатып алыңыз, одан кейін сүзгіні алып, оны су ағыны астында жақсылап тазалаңыз.
- Сүзгіні орнына қойып, су түтігін орнына бұраңыз.

Сүзгілерді тазалау

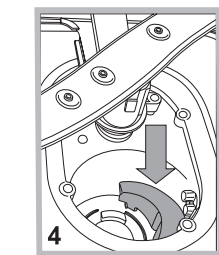
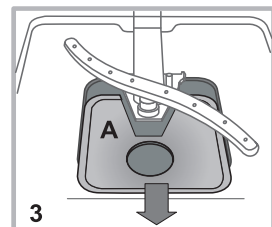
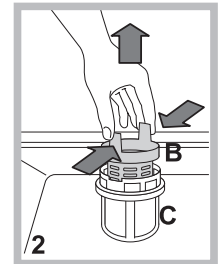
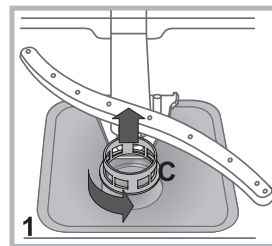
Сүзгі жинағы суды тамақ қалдықтарын тазалайтын және одан кейін суды қайта айналдыратын үш сүзгіден тұрады. Әрбір жууда ең жақсы нәтижеге қол жеткізгіңіз келсе, оларды тазалау керек.

⚠ Сүзгілерді мерзімді түрде тазалап отырыңыз.

⚠ Ыдыс жуу машинасын сүзгісіз немесе сүзгі босап кеткен кезде пайдалануға болмайды.

- Бірнеше рет жуғаннан кейін, сүзгі жинағын тексеріңіз және қажет болса оны металсыз щеткамен әрі төмендегі нұсқауларды орындай отырып, су ағыны астында жақсылап тазалаңыз:

1. Цилиндрлік **C** сүзгісін сағат тіліне қарсы бағытта бұраңыз да, суырып алыңыз (1-сурет).
2. Шыныаяқ **B** сүзгісін жиектері аздап басу арқылы шығарып алыңыз (2-сурет);
3. Тот баспайтын болат тілімше **A** сүзгісін суырып алыңыз (3-сурет).
4. Тұзақты қарап шығыңыз да, кез келген тамақ қалдықтарынан тазартыңыз. Жуу циклы сорғысының қорғау құралын (қара түсті зат) **ЕШҚАШАН АЛУШЫ БОЛМАҢЫЗ** (4-сурет).



Сүзгілерді тазалағаннан кейін, сүзгі жинағын орнына қойып, оны дұрыстап бекітіңіз; бұл ыдыс жуу машинасының тиімді жұмысы үшін өте маңызды.

Машинаны ұзақ уақыт пайдаланбауға қалдыру

- Құрылғыны токтан ағытып, су шүмегін жабыңыз.
- Құрылғы есігін сәл ашық қалдырыңыз.
- Қайтып келген кезде, ыдыс жуу машинасын бос ұстап жуу циклын іске қосыңыз.

* Тек кейбір үлгілерде бар.

Ақаулықтарды жою

195116016.02

02/2014 жк - Xerox Fabriano



KZ

Құрылғы дұрыс жұмыс істемей қалған кезде, Көмек қызметіне телефон соқпас бұрын төмендегі тізімнен шешімді іздеңіз.

Ақаулық:	Ықтимал себептері / шешімдері:
Ыдыс жуу машинасы іске қосылмайды немесе оны басқару мүмкін емес.	<ul style="list-style-type: none"> Құрылғыны ҚОСУ/ӨШІРУ түймесін басу арқылы өшіріңіз, одан кейін оны бір шамамен бір минуттан кейін қосып, бағдарламаны қайта орнатыңыз. Құрылғы розеткаға дұрыс қосылмаған. Ыдыс жуу машинасының есігі дұрыс жабылмаған.
Есік жабылмайды.	<ul style="list-style-type: none"> Құлып босатылған. «Тық» еткен дыбыс естілгенше есікті қатты итеріңіз.
Ыдыс жуу машинасынан су ағызылмайды.	<ul style="list-style-type: none"> Ыдыс жуу машинасының циклы әлі аяқталмаған. Су ағызу түтігі майысқан («Орнату» бөлімін қараңыз.) Ағызу түтігі жабылып қалған. Сүзгі тамақ қалдықтарымен бітеліп қалған.
Ыдыс жуу машинасы шамадан тыс шуыл шығарады.	<ul style="list-style-type: none"> Табақтар бір-біріне немесе тозаңдатқыш өзекшеге тиіп тарсылдайды. Тым көп көбік түзілген: жуғыш зат дұрыс өлшенбеген немесе ол ыдыс жуу машиналарында қолдануға қолайлы емес. («Іске қосу және пайдалану» бөлімін қараңыз).
Табақтар мен стақандардың бетінде ақ түсті қабықшамен немесе тат қалдықтарымен қапталған.	<ul style="list-style-type: none"> Тазаланған тұз мөлшері аз немесе мөлшерлеме параметрі судың қаттылығына дұрыс қойылмаған («Шаюға көмекші зат және тұз» бөлімін қараңыз). Тұз диспенсерінің қақпағы дұрыс жабылмаған. Шаюға көмекші зат таусылған немесе оның мөлшерлемесі тым төмен.
Табақтар мен стақандар сызылған немесе реңгі көкшіл.	<ul style="list-style-type: none"> Шаюға көмекші заттың мөлшерлемесі тым жоғары.
Ыдыс-аяқ дұрыс кептірілмейді.	<ul style="list-style-type: none"> Кептіру циклы жоқ жуу циклы таңдалған. Шаюға көмекші зат таусылған немесе оның мөлшерлемесі тым төмен («Шаюға көмекші зат және тұз» бөлімін қараңыз). Шаюға көмекші зат параметрі қолайлы емес. Ыдыс-аяқ жабыспайтын материалдан немесе пластиктен жасалған.
Ыдыс аяқ таза емес.	<ul style="list-style-type: none"> Тартпаларға тым көп ыдыс салынған («Тартпаларға ыдыс салу» бөлімін қараңыз). Ыдыс-аяқ дұрыс реттелмеген. Тозаңдатқыш өзекшелер еркін жылжи алмайды. Жуу циклы тым нәзік («Жуу циклдары» бөлімін қараңыз). Тым көп көбік түзілген: жуғыш зат дұрыс өлшенбеген немесе ол ыдыс жуу машиналарында қолдануға қолайлы емес. («Іске қосу және пайдалану» бөлімін қараңыз). Шаюға көмекші зат бөлігіндегі қақпақ дұрыс жабылмаған. Сүзгі кір немесе бітеліп қалған («Күтім көрсету және техникалық қызмет көрсету» бөлімін қараңыз.) Тазаланған тұз деңгейі төмен («Шаюға көмекші зат және тұз» бөлімін қараңыз).
<p>Ыдыс жуу машинасына су кірмейді - Шүмек өшірулі дабылы.</p> <p>(Кептіру және Соңы индикатор шамдары жылдам жыпылықтайды).</p>	<ul style="list-style-type: none"> Жүйеде су жоқ. Судың кіріс түтігі майысқан («Орнату» бөлімін қараңыз). Шүмекті ашыңыз, сонда құрылғы бірнеше минуттан кейін іске қосылады. Құрылғы тоқтаған, себебі сигнал берілгенде ешбір әрекет жасалмаған*. (*Тек кейбір үлгілерде бар.) <p>ҚОСУ/ӨШІРУ түймесінің көмегімен құрылғыны өшіріңіз, одан кейін шүмекті ашыңыз да, дәл сол түймені 20 секундтан кейін басу арқылы құрылғыны қайтадан қосыңыз. Құрылғыны қалпына келтіріп, жуу циклын қайтадан бастаңыз.</p>

* Тек кейбір үлгілерде бар.