

K219.61B-K219.91B



Sigmund & Shtain
техника со вкусом



1



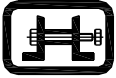
2



3



4



5



1.

1.

2.

220 -240 .

3.

4.

5.

6.

7.

8.

9.

10.

11.

12.

13.

: 65

: 75

14.

15.

16.

15

17.

18.

19.



2.

05



./ .

:



V-:



V+:

3

1

3

“b”.



:

“ ”

15

“ ”



:

:

30

(F)

300

(C)

(F) (C).

5

(V-).

(V+).

V+

(E),



3.

1

1.

2.

()

1. ,

2. .

3. .

!

!



3-4.



!

1-

2-

3-

4-

5-

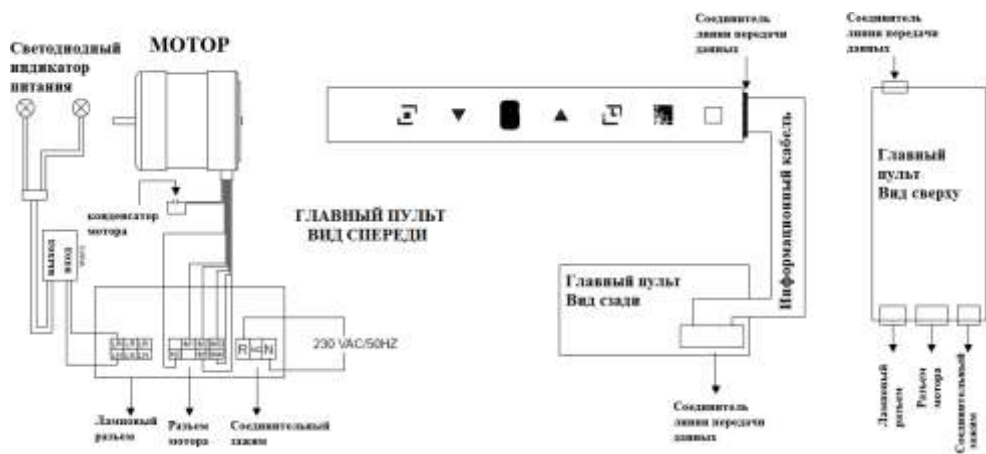
: 10 . (

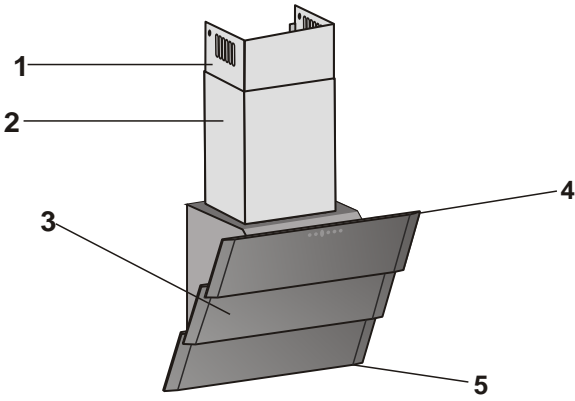
.)



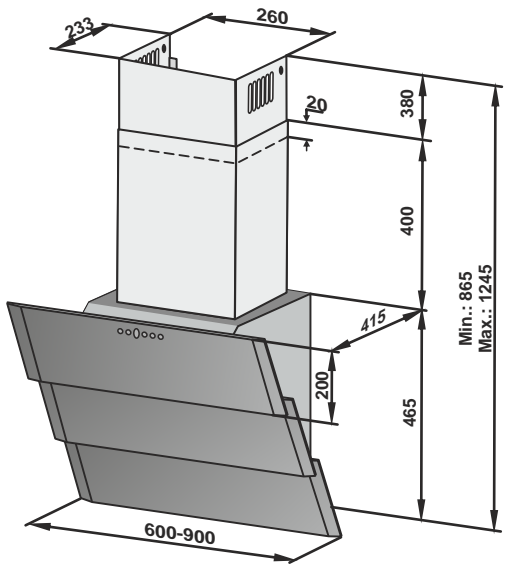
5.

05





- 1)
- 2)
- 3)
- 4)
- 5)



K219.61B-K219.91B



**CHIMNEY HOOD
INSTRUCTION MANUAL**

Dear customer ;

Below you will find all the relative information to provide you the efficiently performance and safe way of operating your device.

Please, read the instruction manual thoroughly before installing your device.



Precautions before using the Hood Fume.

Section 1



Hood Fume using information

Section 2



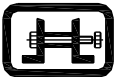
Hood Fume technical measurements

Section 3



Hood Fume maintenance information

Section 4



Hood Fume assembly connections

Section 5



Section 1

- 1... The electrical and assembly connections of the product should be implemented by a competent service personnel who is fully trained for the subject.
- 2...Operational power supply is AC 220 240 Volts. Please do not operate the device with the power supply over and under these voltage values.
- 3...Do not make any connection to chimneys which the stoves are connected, waste gases are exhausted or to chimneys which have the uprisings of the flames.
- 4...Connect the product to AC power supply which is fully grounded.
- 5...Flammable foods should not be cooked under this device
- 6...Only use the aluminum filtre provided with the device and do not use other materials to replace it.
- 7...Do not connect the unit to the power supply unless the assembly of the device is fully completed.
- 8...Do not operate the device without it's aluminum filter.
- 9...Do not touch the illumination lamps of the device when they are used for a long time.
- 10.Do not remove the aluminium filter of the device while it is operating.
- 11.Do not directly connect and disconnect the power supply of the device when it is in operation. Always turn it off from it's control panel.
- 12.The cleaning of the device should be implemented with periodic intervals.
- 13.The distance between the lower surface of the Hood Fume and the Cooker should be as stated below
 - For electrical cookers : 65 cms
 - Gased or Mixe cookers : 75 cms
- 14.As the packing materials of the device may be harmful to children, keep them out of reach of the children.
- 15.Operate the Hood Fume after placing the casserole and pan on the cooker.
16. In order to achieve better purification of the kitchen air and the fume occuring during the cooking, please let the Hood Fume operate for an additional 15 minutes after the cooking or the frying on the cooker is completed. You can use the "Timer" button on the control panel to enable this function.
- 17.Provide the ventilation of the medium and obtain freash air when the Hood Fume is operating and specially when it is operating simultaneously with the gased cookers.
- 18.If the device is malfunctioned for any reason, apply to the nearest authorised service.
19. Our company shall not bear any responsibility for any type of damage or injury caused by not abiding the above stated precautions.

**Section 2****2.2. TOUCH CONTROL 05 USING INFORMATION**

M.On/Off Button: It is using for opening and the motor. At the beginning motor starts with second speed.



V - (minus) Button: It is using to decrease the motor speed until first speed.



V + (plus) Button: It is using to increase the motor speed until the highest speed. BOOST mode starts if you press again while the motor highest speed. Motor run 3 minutes highest speed after one level decrease and run 3 minutes until to second speed and BOOST mode completed. Display flashed speed number and "b" while BOOST mode. When you entered BOOST mode, canceled shutdown timer set.



Timer Button: When the motor is working if the timer button is pushed speed number that shows the time will start flash. After 15 minutes motor and lamp will turn off. If the timer button is pushed again it's flashing over and timer is canceled. When you entered Timer mode, it's canceled BOOST mode.



Lamp Button: It is using for turning on and turning off the lamp.

Filter Warning:

There is a two kind of WARNING for filter. After engine reaches 30 hours, warning of filled grease filter (F) will be indicated on screen and it reaches 300 hours, warning of filled carbon filter (C) will be indicated on screen. If both filter is filled it will be showed as filled grease filter on screen warning. Time of filter can be reseted when the engine turn off and filter is filled. For reseting the greased filter V- button should be used. For reseting the carbon filter, V+ button should be used. After pushing the V+ button (F) or (C) will be appeared on screen. After pushing 5 second (E) will be appeared. It means that carbon filter time reseted.



Section 3

Before the maintenance processes, please unplug the hood fume's power cable from the power supply socket or turn off the switch of the power supply or loosen the fuse of the hood fume or turn it off.

Aluminium Filter

This filter holds the oil particles in the air and consequently, it shall be choked up in variable periods of time depending on the time of hood fume's usings. It is recommended that the aluminium filter of the hood fume should be cleaned with 1 month intervals in order to avoid any type of risk which could be caused by this situation. In order to do this, firstly remove the aluminium filters. Whash the aluminium filters in water with liquid detergents and then rinse and place them in their original locations after they are dried well. The color changes may be observed when the aluminium filters are cleaned repeatedly and this situation is normal and the user does not have to change the aluminium filters. The user can also wash the aluminium filters in dish washer machine.

Disassembly of the Aluminium Filters

1. Push the aluminium filter lock straight

2. Then, slightly lower downwards and pull to the front side. Otherwise, the filter shall be bended.

After the washing-rinsing-drying processes of the aluminium filters are completed, they must be placed to their locations by following the previously explained stages adversely.

Carbon Filter (This is for using without the chimney)

This filter eliminates the smells of the cookings. In the event of having no possibility to use the chimney, this filter provides the air circulating inside the kitchen. The carbon filters of the hood fume shall also be choked up in variable periods depending of the frequency of the using of the hood fume, the style of the cooking and according to the regular cleanings of the aluminium filters.

Under normal using conditions, the carbon filters should be changed once in every 4 months.

Disassembly of the Carbon Filters

1- In order to remove the carbon filter, turn it to the left and pull it towards you.

2- Replace the new carbon filter.

3- Place the aluminium filters to their location.



Section 3

In order to clean the outside of the hood fume, the user must use soft cloth which is wetted with liquid. Abrasive and scratching products should never be used for the cleaning of the hood fume. In order to avoid the scratchings of the brushed stainless steel body, the hood fume should always be wiped with the same direction of the brush traces. The lamp glasses of the hood fume should not be removed during the cleaning.

Attention!

Do not clean your appliance with steam cleaners.

Attention!

You may cause fire if you do not abide the rules for the cleaning and the changing of the filters of the hood fume.

3.5. Changing of the Lamps

The hood fume uses 2 pieces of 20 W halogene lamps. Ensure that the appliance is switched off before replacing the lamp to avoid the possibility of electric shock.

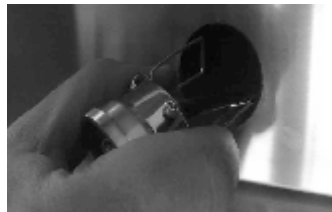
A sharp tipped screwdriver must be used in order to push the nails of the halogene lamp's protector and after this, it must be pushed downwards. While doing this, please hold the protector of the lamp carefully to protect it from falling down. After replacing the lamp with the new one, line up the lamp protector and nails according to the hollow space in the lamp nest and slightly push. It is recommended that you better use a cloth while placing the lamp to it's place. Because, when the halogene lamps are touched by the hand, the life span of the lamp shall end in one day time.

**Section 3-4****PowerLed Spot Changing**

To get out led lamp by pulling it from place.



To distinguish connectors from each other which in spot connection. And to insert the new led lamp bow by lifting up and later combine connectors.

**Attention!**

When the transportation of the hood fume is required, first cut off the electricity of the unit and disassemble the hood fume. If possible, prefer to carry the hood fume in its original package any apply the carrying marks indicated on the package of the hood fume. If the original package of the device that is shall not to be damaged during the transportation.

We kindly ask you to follow the below stated suggestion:

1- Have the guarantee certificate of the hood fume approved by the authorised dealer when you purchase it.

2- Always use the hood fume as stated in the Instruction manual.

3- Always ask the Technician Identification Card from those who may come for the services of the product.

4- When the services is completed, always ask for Service Receipt from the person who implemented the service. The Service Receipt shall be useful for you for any type of problem you may face in the future.

5- Life span: 10 years. (The length of time for the required spare parts to have the product Functional)

Assembly Connection Information

- In order to make assembly connection the chimneyhood, please read the instruction of assembly sheet which is providing with instruction manual.

- In order to assemble and to be run the device, please apply to the authorised technician person.



Section 5

TOUCH CONTROL 05 ELECTRICAL CONNECTION DIAGRAM

